



2026 PRODUCT GUIDE

2026 | V2



Raymarine

















WELCOME



We know that every moment on the water is precious. It's a time for adventure, creating memories and achieving mission success. At Raymarine, we understand that when you're on the water, anything can happen. That's why we build rugged, reliable marine electronics that have kept boaters safe for over 100 years. From the ease of use of our products to the steadfast technical support, we go above and beyond, so you can confidently go further and do more.

CONTENTS

The information contained in this price list, to the best of our knowledge, was correct as it went to press. However, the Raymarine policy of continuous improvement and updating may change product information and pricing without prior notice. Therefore, differences in products and prices may occur from time to time, for which liability cannot be accepted by Raymarine. Prices shown in this document are net of sales taxes.

 <p>LIGHTHOUSE CHARTS</p> <p>4</p>	 <p>CHARTPLOTTER DISPLAY COMPARISON CHART</p> <p>8</p>	 <p>CHARTPLOTTER DISPLAYS</p> <p>10</p>	 <p>SONAR MODULES</p> <p>28</p>
 <p>RADAR ANTENNAS</p> <p>42</p>	 <p>AUTOPILOTS</p> <p>54</p>	 <p>INSTRUMENTATION</p> <p>64</p>	 <p>THERMAL CAMERAS</p> <p>74</p>
 <p>MARINE VIDEO CAMERAS</p> <p>78</p>	 <p>AUGMENTED REALITY</p> <p>80</p>	 <p>SATELLITE TV ANTENNAS</p> <p>82</p>	 <p>AUTOMATIC IDENTIFICATION SYSTEMS (AIS)</p> <p>84</p>
 <p>VHF RADIO COMMUNICATIONS</p> <p>86</p>	 <p>NEUBOAT DOCK, YACHTSENSE AND DOCKSENSE</p> <p>90</p>	 <p>CABLES & ACCESSORIES</p> <p>102</p>	 <p>MARETRON VESSEL MONITORING</p> <p>106</p>

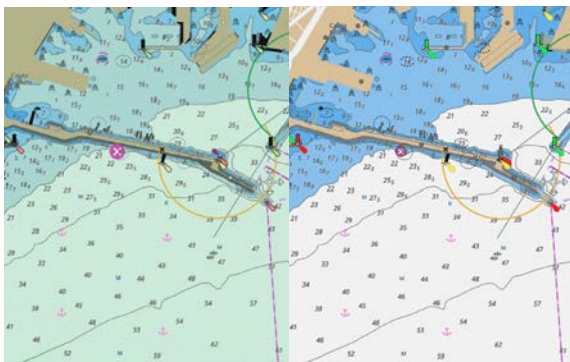
LIGHTHOUSE CHARTS GEN 2



LIGHTHOUSE
CHARTS GEN 2

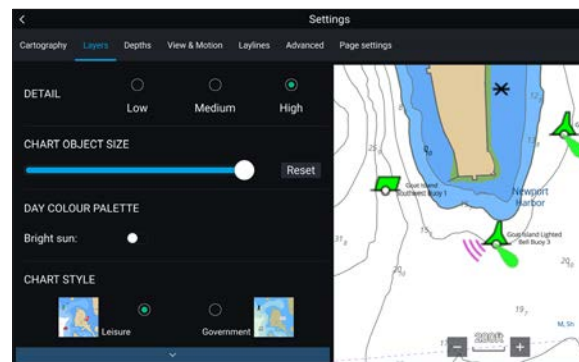
LIGHTHOUSE CHARTS GEN 2

LightHouse Charts GEN 2 for Raymarine Axiom and Element deliver faster redraw speeds, expanded coverage and easier chart updates. Trust LightHouse Charts GEN 2 for superior readability and intuitive navigation. We create LightHouse Charts GEN 2 regions from official hydrographic chart sources—the same data trusted by maritime professionals. Subscribe to LightHouse Charts Premium and receive regular chart updates, access to an expansive POI library, and navigate with high-resolution satellite overlays. Every new LightHouse Chart purchase includes a 1-year LightHouse Charts Premium subscription.



PROFESSIONAL OR LEISURE CHART STYLE

Toggle between the information-rich professional S-52 government chart style (left) and the LightHouse leisure chart style (right) for your preferred view of key cartographic data.



ENHANCED CHART SYMBOL CONTROL

Change the size of channel markers, points of interest, and other icons for complete control over chart details.

LIGHTHOUSE CHARTS



NAVIGATE WITH A REAL-WORLD VIEW

Access Mapbox-powered high-resolution satellite imagery for a complete view of streets, shorelines, and shallows for informed decision making.



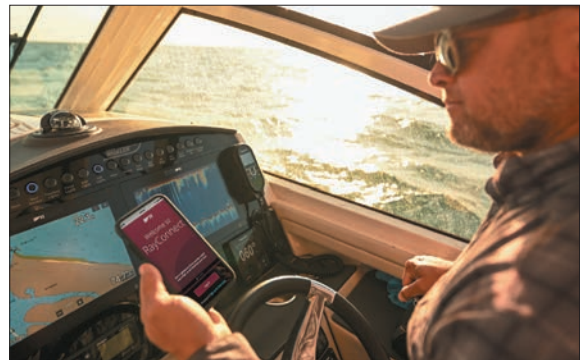
EXPANSIVE POINTS OF INTEREST LIBRARY

Quickly find local marinas, fuel stops, service stations, and more with an ever-expanding points of interest library from the best marine databases.



FLEXIBLE COLOUR MODES

Day, Dusk, Dark, and Bright Sun colour palettes help your vision keep up with changing light conditions for clear, strain-free chart viewing.



STAY UP TO DATE WITH PREMIUM.

A LightHouse Premium annual subscription provides regular chart updates and access to Premium chart layers. Download updates to your personal computer or your mobile phone.

PREMIUM PARTNERS

Benefit from integration with the following Premium partners



LIGHTHOUSE CHARTS GEN 2

PART NO.	DESCRIPTION
Cartography	
LightHouse Charts GEN 2	
R70794	LightHouse North America Chart
R70794-CAR	LightHouse Chart (preloaded with Caribbean Sea charts) on 32 Gb micro SD card
R70794-NEU	LightHouse Chart (preloaded with Northern Europe charts) on 32 Gb micro SD card
R70794-WEU	LightHouse Chart (preloaded with Western Europe charts) on 32 Gb micro SD card
R70794-MED	LightHouse Chart (preloaded with Mediterranean region charts) on 32 Gb micro SD card
R70794-IGB	LightHouse Chart (preloaded with UK & Ireland charts) on 32Gb micro SD card
R70794-FRA	LightHouse Chart (preloaded with France charts) on 32Gb micro SD card
R70794-ITA	LightHouse Chart (preloaded with Italy charts) on 32Gb micro SD card
R70794-GER	LightHouse Chart (preloaded with Germany charts) on 32Gb micro SD card
R70794-NED	LightHouse Chart (preloaded with Belgium & Netherlands charts) on 32 Gb micro SD card
R70794-NOR	LightHouse Chart (preloaded with Norway charts) on 32 Gb micro SD card
R70794-SWE	LightHouse Chart (preloaded with Sweden charts) on 32 Gb micro SD card
R70794-FIN	LightHouse Chart (preloaded with Finland charts) on 32 Gb micro SD card
R70794-DEN	LightHouse Chart (preloaded with Denmark charts) on 32 Gb micro SD card
R70794-AUS	LightHouse Chart (preloaded with Australia & New Zealand charts) on 32 Gb micro SD card
R70794-JPN	LightHouse Chart (preloaded with Japanese charts) on 32 Gb micro SD card
R70794-ICE	LightHouse Chart (preloaded with Iceland and the Faroe Island charts) on 32 Gb micro SD card
R70794-RSG	LightHouse Chart (preloaded with the Red Sea and the Gulf charts) on 32 Gb micro SD card
R70794-SAF	LightHouse Chart (preloaded with the South Africa charts) on 32 Gb micro SD card
R70794-ARG	LightHouse Chart (preloaded with the Argentina and Uruguay charts) on 32 Gb micro SD card
R70794-WAF	LightHouse Chart (preloaded with Western Africa charts) on 32 Gb micro SD card
R70794-IDM	LightHouse Chart (preloaded with Indonesia & Malaysia charts) on 32 Gb micro SD card
R70794-CHN	LightHouse Chart (preloaded with China & Hong Kong charts) on 32 Gb micro SD card

LIGHTHOUSE CHARTS GEN 2



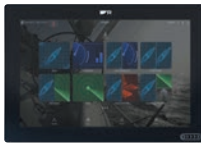
CHARTPLOTTER DISPLAYS



OPTIONS
Display Sizes (inches)
Brightness
HydroTough nano coated display
Fast 6-core processor and expanded memory
HybridTouch: Keypad and Touchscreen
Data Card Port
Waterproofing Standard
Built-In GPS Receiver
RealVision 3D
CHIRP DownVision
CHIRP SideVision
High Frequency CHIRP
600 Watt Sonar
RealVision MAX and 1 kW CHIRP Sonar
HyperVision
OS
RayNet Ethernet
USB
Wi-Fi and Bluetooth
NMEA0183
NMEA2000
SeaTalkNG
Mounting
Quantum and Cyclone Radar
Digital Switching
FLIR thermal Camera Integration
Evolution Autopilot Control
IP Video Camera and ClearCruise Augmented Reality Option
Support for external CHIRP Sonar Modules
Marine Audio Integration
Navionics Autorouting
Navionics Sonar Chart Live
Raymarine Realbathy™

CHARTPLOTTER DISPLAYS

The following table provides a quick comparison guide for the Raymarine range of chartplotters displays. For more information, contact the local Raymarine dealer or visit our website raymarine.com



AXIOM+	AXIOM 2	AXIOM 2 PRO	AXIOM 2 XL
7 / 9 / 12	7 / 9 / 12	9 / 12 / 16	16 / 19 / 22 / 24
1500 and 1800 nit*	1500 and 1800 nit*	1200 and 1300 nits*	1200, 1275 and 1300 nits*
●	●	●	●
	●	●	●
		●	
MicroSD	MicroSD	MicroSD (x2)	SD Card Reader Required
IPX6/7	IPX6/7	IPX6/7	IPX6/7
●	●	●	●
RV	RV	RVM	Optional RealVision MAX and CHIRP Sonar Modules
RV	RV	RVM	
RV	RV	RVM	
RV	RV	RVM	
RV	RV	RVM	
		RVM	
LightHouse 4	LightHouse 4	LightHouse 4	LightHouse 4
●	●	●	●
●	●	●	●
●	●	●	●
Support for NMEA 0183 through an optional NMEA2000/SeaTalkNG Gateway			
●	●	●	●
●	●	●	●
Top, Flush, Front, Bracket	Top, Flush, Front, Bracket	Top, Front, Bracket	Flush / Surface
●	●	●	●
●	●	●	●
●	●	●	●
●	●	●	●
●	●	●	●
●	●	●	●
●	●	●	●
●	●	●	●
●	●	●	●
●	●	●	●
●	●	●	●
●	●	●	●

* Brightness is model dependent

AXIOM®+



SAILING

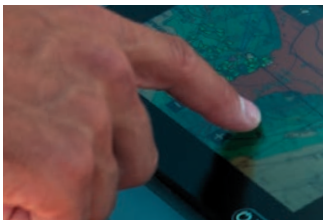


CRUISING



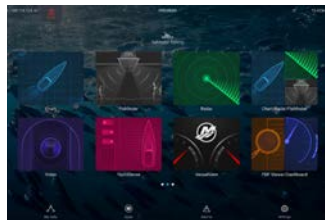
FISHING

The performance-tuned Axiom+ is a new generation of award-winning Raymarine chartplotter displays. Optimised for speed, Axiom+ is equipped with a powerful quad-core processor for industry-leading responsiveness and speed, giving you the power to seamlessly redraw charts, navigate with augmented reality, and experience RealVision 3D sonar.



Fast and Fluid

Fluid and fast chart redraw of new Raymarine LightHouse Charts, plus Navionics and C-MAP.



LightHouse 4 OS

Smart and intuitive LightHouse 4 OS makes navigating easy.



Quad-Core Power

Powerful quad-core processor, plus increased onboard storage for personal data and apps.



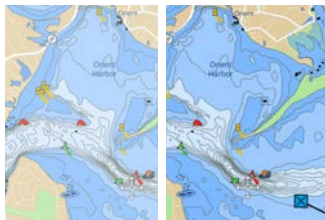
Augmented Reality

ClearCruise™ Augmented Reality-capable for smarter navigation decisions.



HydroTough™ Display

Nano-coated, impact-resistant glass screen repels water, oil, and smudges for better viewing and accurate touch controls.



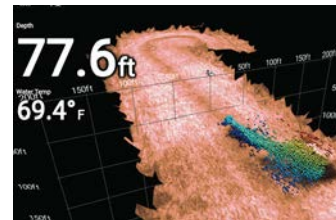
Brighter

Axiom+ 7, 9 and 12 inch all-weather displays are 25 percent brighter (up to 1,800 nits) than original Axiom models.



Sharper

IPS display technology delivers wider viewing angles and sharp contrast at twice the resolution of traditional displays.



3D Sonar Built-in

Available with built-in RealVision 3D sonar for the most comprehensive view of the underwater world.

AXIOM®+

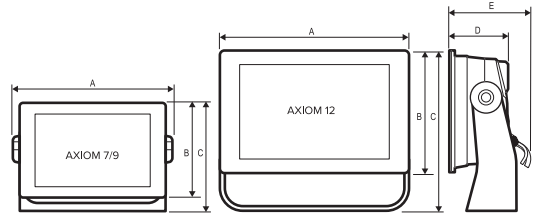
PART NO.	DESCRIPTION
AXIOM+ Chartplotter Only	
AXIOM+ 7 CHARTPLOTTER	
E70634	AXIOM+ 7, Multi-function 7" Display
E70634-00-NEU	AXIOM+ 7, Multi-function 7" Display with Northern European LightHouse Chart
E70634-00-WEU	AXIOM+ 7, Multi-function 7" Display with Western European LightHouse Chart
E70634-00-MED	AXIOM+ 7, Multi-function 7" Display with Mediterranean LightHouse Chart
AXIOM+ 9 CHARTPLOTTER	
E70636	AXIOM+ 9, Multi-function 9" Display
E70636-00-NEU	AXIOM+ 9, Multi-function 9" Display with Northern European LightHouse Chart
E70636-00-WEU	AXIOM+ 9, Multi-function 9" Display with Western European LightHouse Chart
E70636-00-MED	AXIOM+ 9, Multi-function 9" Display with Mediterranean LightHouse Chart
AXIOM+ 12 CHARTPLOTTER	
E70638	AXIOM+ 12, Multi-function 12" Display
E70638-00-NEU	AXIOM+ 12, Multi-function 12" Display with Northern European LightHouse Chart
E70638-00-WEU	AXIOM+ 12, Multi-function 12" Display with Western European LightHouse Chart
E70638-00-MED	AXIOM+ 12, Multi-function 12" Display with Mediterranean LightHouse Chart
AXIOM+ RV Chartplotter with RealVision 3D	
AXIOM+ 7 REALVISION 3D	
E70635	AXIOM+ 7 RV, Multi-function 7" Display with integrated RealVision 3D, 600W Sonar, no transducer
E70635-00-NEU	AXIOM+ 7 RV, Multi-function 7" Display with integrated RealVision 3D, 600W Sonar, no transducer with Northern European LightHouse Chart
E70635-00-WEU	AXIOM+ 7 RV, Multi-function 7" Display with integrated RealVision 3D, 600W Sonar, no transducer with Western European LightHouse Chart
E70635-00-MED	AXIOM+ 7 RV, Multi-function 7" Display with integrated RealVision 3D, 600W Sonar, no transducer with Mediterranean LightHouse Chart
E70635-03	AXIOM+ 7 RV, Multi-function 7" Display with integrated RealVision 3D,600W Sonar with RV-100 transducer
E70635-03-NEU	AXIOM+ 7 RV, Multi-function 7" Display with integrated RealVision 3D,600W Sonar with RV-100 transducer with Northern European LightHouse Chart
E70635-03-WEU	AXIOM+ 7 RV, Multi-function 7" Display with integrated RealVision 3D,600W Sonar with RV-100 transducer with Western European LightHouse Chart
E70635-03-MED	AXIOM+ 7 RV, Multi-function 7" Display with integrated RealVision 3D,600W Sonar with RV-100 transducer with Mediterranean LightHouse Chart
AXIOM+ 9 REALVISION 3D	
E70637	AXIOM+ 9 RV, Multi-function 9" Display with integrated RealVision 3D, 600W Sonar, no transducer
E70637-00-NEU	AXIOM+ 9 RV, Multi-function 9" Display with integrated RealVision 3D, 600W Sonar, no transducer with Northern European LightHouse Chart
E70637-00-WEU	AXIOM+ 9 RV, Multi-function 9" Display with integrated RealVision 3D, 600W Sonar, no transducer with Western European LightHouse Chart
E70637-00-MED	AXIOM+ 9 RV, Multi-function 9" Display with integrated RealVision 3D, 600W Sonar, no transducer with Mediterranean LightHouse Chart
E70637-03	AXIOM+ 9 RV, Multi-function 9" Display with integrated RealVision 3D,600W Sonar with RV-100 transducer
E70637-03-NEU	AXIOM+ 9 RV, Multi-function 9" Display with integrated RealVision 3D,600W Sonar with RV-100 transducer with Northern European LightHouse Chart
E70637-03-WEU	AXIOM+ 9 RV, Multi-function 9" Display with integrated RealVision 3D,600W Sonar with RV-100 transducer with Western European LightHouse Chart
E70637-03-MED	AXIOM+ 9 RV, Multi-function 9" Display with integrated RealVision 3D,600W Sonar with RV-100 transducer with Mediterranean LightHouse Chart

AXIOM®+

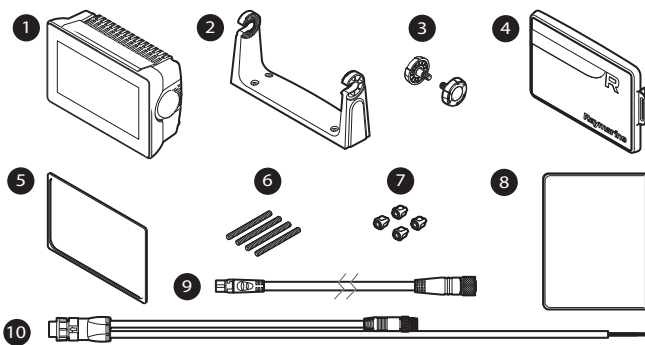
PART NO.	DESCRIPTION
AXIOM+ 12 REALVISION 3D	
E70639	AXIOM+ 12 RV, Multi-function 12" Display with integrated RealVision 3D, 600W Sonar, no transducer
E70639-00-NEU	AXIOM+ 12 RV, Multi-function 12" Display with integrated RealVision 3D, 600W Sonar, no transducer with Northern European LightHouse Chart
E70639-00-WEU	AXIOM+ 12 RV, Multi-function 12" Display with integrated RealVision 3D, 600W Sonar, no transducer with Western European LightHouse Chart
E70639-00-MED	AXIOM+ 12 RV, Multi-function 12" Display with integrated RealVision 3D, 600W Sonar, no transducer with Mediterranean LightHouse Chart
E70639-03	AXIOM+ 12 RV, Multi-function 12" Display with integrated RealVision 3D,600W Sonar with RV-100 transducer
E70639-03-NEU	AXIOM+ 12 RV, Multi-function 12" Display with integrated RealVision 3D,600W Sonar with RV-100 transducer with Northern European LightHouse Chart
E70639-03-WEU	AXIOM+ 12 RV, Multi-function 12" Display with integrated RealVision 3D,600W Sonar with RV-100 transducer with Western European LightHouse Chart
E70639-03-MED	AXIOM+ 12 RV, Multi-function 12" Display with integrated RealVision 3D,600W Sonar with RV-100 transducer with Mediterranean LightHouse Chart

AXIOM®+

(mm / in.)						
	AXIOM+ 7		AXIOM+ 9		AXIOM+ 12	
	mm	in	mm	in	mm	in
A	250.4	9.86	265.03	10.43	314	12.36
B	133	5.24	157.78	6.21	217	8.54
C	162.5	6.4	187.8	7.39	226.8	8.93
D	76.4	3.0	76.71	3.02	76.20	3.0
E	218	8.59	170	6.69	180	7.08



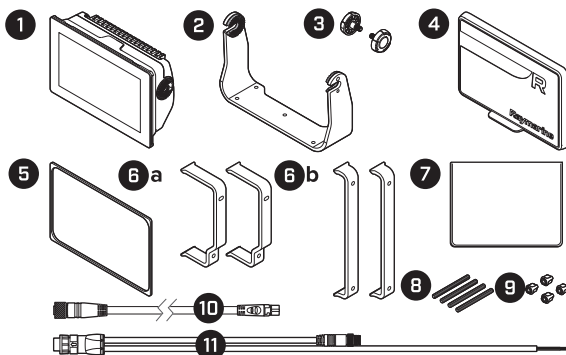
AXIOM+ 7: IN THE BOX



1. MFD (supplied with Trunnion adaptor fitted)
2. Trunnion bracket
3. Trunnion knobs x 2
4. Suncover — Trunnion mount
5. Panel mount gasket for surface/flush mounting
6. M5x58 Threaded studs x 4
7. M5 Thumb nuts x 4
8. Documentation pack
9. DeviceNet to SeaTalkng® adaptor cable 120 mm (4.7 in)
10. Power/NMEA 2000 cable (with 1.5 m (4.92 ft) power lead and 0.5 m (1.64 ft) NMEA 2000 lead).



AXIOM+ 9 / 12: IN THE BOX



1. MFD
2. Trunnion bracket
3. Trunnion knobs x 2
4. Suncover
5. Panel mount gasket for surface/flush mounting
6. Rear mounting brackets: (a) supplied with 9" MFD (b) supplied with 12" MFD
7. Documentation pack
8. M5x58 Threaded studs x 4
9. M5 Thumb nuts x 4
10. DeviceNet to SeaTalkng® adaptor cable 120 mm (4.7 in)
11. Power/NMEA 2000 cable (with 1.5 m (4.92 ft) power lead and 0.5 m (1.64 ft) NMEA 2000 lead).

AXIOM[®]2



NEW



SAILING

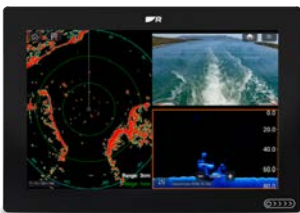


CRUISING



FISHING

Axiom 2 is the next generation of the award-winning Axiom chartplotter line. Featuring a powerful 6-core processor, next-generation LightHouse Charts, rugged HydroTough™ displays, and expanded app and engine integration, Axiom 2 delivers a faster, more intuitive, and more responsive navigation experience for leisure boaters of all kinds. Designed for sailors, anglers, cruisers, and motor-yacht owners, Axiom 2 combines next-level performance with Raymarine's signature durability and ease of use.



Built for Speed and Expansion

Gigabit RayNet Ethernet enables faster networking between displays and sensors. Experience smoother radar, sonar and video performance across the system.



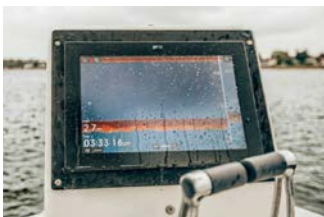
Engine Monitoring

Connect with leading engines including Mercury, Yamaha Suzuki and more. Monitor performance, fuel, and propulsion data directly from the helm.



More capability, built in

Expand your Axiom 2 with access to 30+ marine apps. Take control of lighting, audio, energy monitoring and weather systems. Or stream entertainment from Netflix, YouTube and Spotify.



All-Weather Performance

Rugged IPX6 waterproof construction and bright HydroTough™ displays repel water for reliable touchscreen control in all conditions.



Plan Routes with the Orca App

Share a route from the Orca mobile app to Axiom 2 via Wi-Fi. Simply identify your starting point, your destination, and Orca's advanced navigational algorithms will find the best route for your vessel.



Advanced Sailing Tools

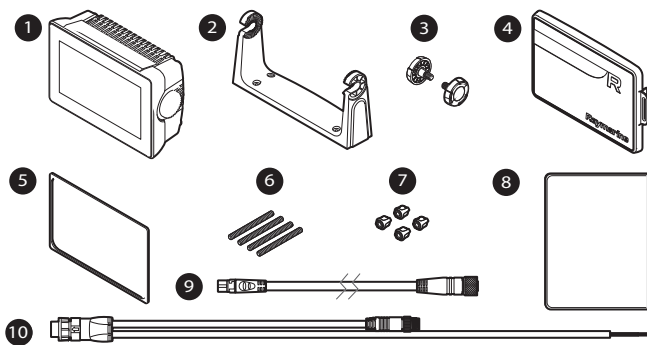
Optimize your performance under sail with Axiom 2's suite of powerful sailing features including polar profiles, dynamic laylines, race timers and tactical sailing displays

AXIOM[®] 2

(mm / in.)						
	AXIOM 2 7		AXIOM 2 9		AXIOM 2 12	
	mm	in	mm	in	mm	in
A	250.4	9.86	265.03	10.43	314	12.36
B	133	5.24	157.78	6.21	217	8.54
C	162.5	6.4	187.8	7.39	226.8	8.93
D	76.4	3.0	76.71	3.02	76.20	3.0
E	218	8.59	170	6.69	180	7.08



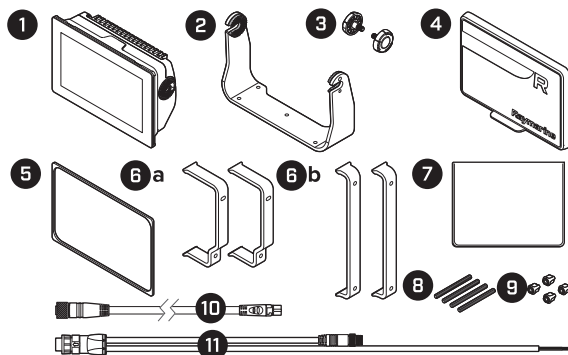
AXIOM 2 — 7: IN THE BOX



1. MFD (supplied with Trunnion adaptor fitted)
2. Trunnion bracket
3. Trunnion knobs x 2
4. Suncover — Trunnion mount
5. Panel mount gasket for surface/flush mounting
6. M5x58 Threaded studs x 4
7. M5 Thumb nuts x 4
8. Documentation pack
9. DeviceNet to SeaTalkng[®] adaptor cable 120 mm (4.7 in)
10. Power/NMEA 2000 cable (with 1.5 m (4.92 ft) power lead and 0.5 m (1.64 ft) NMEA 2000 lead).



AXIOM 2 — 9 / 12: IN THE BOX



1. MFD
2. Trunnion bracket
3. Trunnion knobs x 2
4. Suncover
5. Panel mount gasket for surface/flush mounting
6. Rear mounting brackets: (a) supplied with 9" MFD (b) supplied with 12" MFD
7. Documentation pack
8. M5x58 Threaded studs x 4
9. M5 Thumb nuts x 4
10. DeviceNet to SeaTalkng[®] adaptor cable 120 mm (4.7 in)
11. Power/NMEA 2000 cable (with 1.5 m (4.92 ft) power lead and 0.5 m (1.64 ft) NMEA 2000 lead).

AXIOM[®]2

PART NO.	DESCRIPTION
AXIOM2 Chartplotter Only	
AXIOM2 7 CHARTPLOTTER	
E70720	AXIOM2 7 Multi-function 7" Display
E70720-00-NEU	AXIOM2 7, Multi-function 7" Display with Northern European LightHouse Chart
E70720-00-WEU	AXIOM2 7, Multi-function 7" Display with Western European LightHouse Chart
E70720-00-MED	AXIOM2 7, Multi-function 7" Display with Mediterranean LightHouse Chart
AXIOM2 9 CHARTPLOTTER	
E70722	AXIOM2 9 Multi-function 9" Display
E70722-00-NEU	AXIOM2 9, Multi-function 9" Display with Northern European LightHouse Chart
E70722-00-WEU	AXIOM2 9, Multi-function 9" Display with Western European LightHouse Chart
E70722-00-MED	AXIOM2 9, Multi-function 9" Display with Mediterranean LightHouse Chart
AXIOM2 12 CHARTPLOTTER	
E70724	AXIOM2 12 Multi-function 12" Display
E70724-00-NEU	AXIOM2 12, Multi-function 12" Display with Northern European LightHouse Chart
E70724-00-WEU	AXIOM2 12, Multi-function 12" Display with Western European LightHouse Chart
E70724-00-MED	AXIOM2 12, Multi-function 12" Display with Mediterranean LightHouse Chart
AXIOM2 RV Chartplotter with RealVision 3D	
AXIOM2 7 REALVISION 3D	
E70721	AXIOM2 7 RV, Multi-function 7" Display with integrated RealVision 3D, 600W Sonar, no transducer
E70721-00-NEU	AXIOM2 7 RV, Multi-function 7" Display with integrated RealVision 3D, 600W Sonar, no transducer with Northern European LightHouse Chart
E70721-00-WEU	AXIOM2 7 RV, Multi-function 7" Display with integrated RealVision 3D, 600W Sonar, no transducer with Western European LightHouse Chart
E70721-00-MED	AXIOM2 7 RV, Multi-function 7" Display with integrated RealVision 3D, 600W Sonar, no transducer with Mediterranean LightHouse Chart
E70721-03-NEU	AXIOM2 7 RV, Multi-function 7" Display with integrated RealVision 3D,600W Sonar with RV-100 transducer with Northern European LightHouse Chart
E70721-03-WEU	AXIOM2 7 RV, Multi-function 7" Display with integrated RealVision 3D,600W Sonar with RV-100 transducer with Western European LightHouse Chart
E70721-03-MED	AXIOM2 7 RV, Multi-function 7" Display with integrated RealVision 3D,600W Sonar with RV-100 transducer with Mediterranean LightHouse Chart
AXIOM2 9 REALVISION 3D	
E70723	AXIOM2 9 RV, Multi-function 9" Display with integrated RealVision 3D, 600W Sonar, no transducer
E70723-00-NEU	AXIOM2 9 RV, Multi-function 9" Display with integrated RealVision 3D, 600W Sonar, no transducer with Northern European LightHouse Chart
E70723-00-WEU	AXIOM2 9 RV, Multi-function 9" Display with integrated RealVision 3D, 600W Sonar, no transducer with Western European LightHouse Chart
E70723-00-MED	AXIOM2 9 RV, Multi-function 9" Display with integrated RealVision 3D, 600W Sonar, no transducer with Mediterranean LightHouse Chart
E70723-03-NEU	AXIOM2 9 RV, Multi-function 9" Display with integrated RealVision 3D,600W Sonar with RV-100 transducer with Northern European LightHouse Chart
E70723-03-WEU	AXIOM2 9 RV, Multi-function 9" Display with integrated RealVision 3D,600W Sonar with RV-100 transducer with Western European LightHouse Chart
E70723-03-MED	AXIOM2 9 RV, Multi-function 9" Display with integrated RealVision 3D,600W Sonar with RV-100 transducer with Mediterranean LightHouse Chart
AXIOM2 12 REALVISION 3D	
E70725	AXIOM2 12 RV, Multi-function 12" Display with integrated RealVision 3D, 600W Sonar, no transducer
E70725-00-NEU	AXIOM2 12 RV, Multi-function 12" Display with integrated RealVision 3D, 600W Sonar, no transducer with Northern European LightHouse Chart
E70725-00-WEU	AXIOM2 12 RV, Multi-function 12" Display with integrated RealVision 3D, 600W Sonar, no transducer with Western European LightHouse Chart
E70725-00-MED	AXIOM2 12 RV, Multi-function 12" Display with integrated RealVision 3D, 600W Sonar, no transducer with Mediterranean LightHouse Chart
E70725-03-NEU	AXIOM2 12 RV, Multi-function 12" Display with integrated RealVision 3D,600W Sonar with RV-100 transducer with Northern European LightHouse Chart
E70725-03-WEU	AXIOM2 12 RV, Multi-function 12" Display with integrated RealVision 3D,600W Sonar with RV-100 transducer with Western European LightHouse Chart
E70725-03-MED	AXIOM2 12 RV, Multi-function 12" Display with integrated RealVision 3D,600W Sonar with RV-100 transducer with Mediterranean LightHouse Chart

AXIOM[®]2

PART NO.	DESCRIPTION
AXIOM, AXIOM+ & AXIOM2 Accessories	
CARTOGRAPHY	
R70794-IGB	LightHouse Chart (preloaded with UK & Ireland charts) on 32Gb micro SD card
R70794-NEU	LightHouse Chart (preloaded with Northern Europe charts) on 32 Gb micro SD card
R70794-WEU	LightHouse Chart (preloaded with Western Europe charts) on 32 Gb micro SD card
R70794-MED	LightHouse Chart (preloaded with Mediterranean region charts) on 32 Gb micro SD card
A80728	Navionics+ Blank µSD card for Regional Chart Download
ACCESSORIES	
T70293	System Remote Control Keypad (RMK-10) Portrait & Landscape
A80585	Bulkhead Mount micro SD Card Reader with 1m Cable
A80440	Bulkhead Mount SD Card Reader and USB Socket with 1m Cable
E70310	Raystar 150 10Hz GPS/Glonass antenna (STng)
A80370	Pole Mount for RS150 GPS Antenna / Micro-Talk Puck
T70327	Raystar 150 10Hz GPS/Glonass antenna (STng) with Pole Mount
A80437	RS150/MicroTalk Puck Clamshell Riser Mounting Kit
A80731	RNS5 Gigabit Raynet Network Switch
A80732	RNS8 Gigabit Raynet Network Switch with 4 x POE ports
R70615	Spare RealVision 25-pin Locking Collar Kit
SUNCOVERS	
R70525	AXIOM 7 / AXIOM + 7 Suncover when Trunnion Mounted
A80499	AXIOM 7 / AXIOM + 7 Suncover when using Front Mounting Kit
R70527	AXIOM 7 / AXIOM+ 7 Suncover when Rear Mounted (Surface)
A80501	AXIOM 9 / AXIOM+ 9 Suncover when using Front Mounting Kit
R70530	AXIOM 9 / AXIOM+ 9 Suncover when Trunnion or Surface Mounted
A80503	AXIOM 12 / AXIOM+ 12 Suncover when using Front Mounting Kit
R70533	AXIOM 12 / AXIOM+ 12 Suncover when Trunnion or Surface Mounted
TRUNNION MOUNTING KITS	
R70524	Metal Trunnion Mounting Kit for AXIOM 7 / AXIOM+ 7
R70529	Metal Trunnion Mounting Kit for AXIOM 9 / AXIOM+ 9
R70532	Metal Trunnion Mounting Kit for AXIOM 12 / AXIOM+ 12

AXIOM[®]2

PART NO.	DESCRIPTION
AXIOM FRONT MOUNT ACCESSORIES	
A80498	Front Mounting Kit for AXIOM 7 / AXIOM+ 7 (including Sun Cover)
A80500	Front Mounting Kit for AXIOM 9 / AXIOM+ 9 (including Sun Cover)
A80502	Front Mounting Kit for AXIOM 12 / AXIOM+ 12 (including Sun Cover)
REAR MOUNTING KITS	
R70528	Rear Mounting Kit for AXIOM 7 / AXIOM+ 7 (Incl. Rear Brackets, Bolts and Thumbnuts)
R70531	Rear Mounting Kit for AXIOM 9 / AXIOM+ 9 (Incl. Rear Brackets, Bolts and Thumbnuts)
R70534	Rear Mounting Kit for AXIOM 12 / AXIOM+ 12 (Incl. Rear Brackets, Bolts and Thumbnuts)
POWER CABLES	
R70561	Element / AXIOM / AXIOM+ Power Cable 1.5m Right Angled with NMEA 2000 Connector
R70523	Element / AXIOM / AXIOM+ Power Cable 1.5m Straight with NMEA 2000 Connector
ADAPTOR PLATES	
A80524	Adaptor Plate to fit AXIOM 7 / AXIOM+ 7 into e7 size cutout
A80526	Adaptor Plate to fit AXIOM 9 / AXIOM+ 9 into a9 size cutout
A80525	Adaptor Plate to fit Axiom 9 / Axiom+ 9 into C70 Classic size cutout
A80564	Adaptor Plate to fit AXIOM 9 / AXIOM+ 9 into C80/E80 size cutout
A80528	Adaptor Plate to fit AXIOM 12 / AXIOM+ 12 into e12 size cutout
A80527	Adaptor Plate to fit AXIOM 12 / AXIOM+ 12 into a12 size cutout
A80529	Adaptor Plate to fit AXIOM 12 / AXIOM+ 12 into C120/E120 Classic size cutout

Raymarine

AXIOM[®]2



AXIOM® 2 PRO



SAILING



CRUISING / WORKBOATS /
LAW ENFORCEMENT



OFFSHORE
FISHING

Our most powerful Axiom ever, Axiom 2 Pro, is upgraded with faster processors, superior displays, improved ergonomics, and the incredibly intuitive LightHouse 4 operating system. Get underway faster and confidently with Axiom 2 Pro's HybridTouch™ — a simple touchscreen experience plus reliable keypad control. Axiom 2 Pro chartplotters feature built-in wide-spectrum CHIRP sonars for fishing and navigation. Choose Axiom 2 Pro S models with a single High CHIRP sonar channel, or take your fishing to the max with Axiom 2 Pro RVM models, with 1kW CHIRP and RealVision MAX sonar technology.

More Power

Get underway faster with Axiom 2 Pro's lightning-fast 6-core processor.

HybridTouch

Plan and plot your course with fluid touchscreen control and take command with confident keypad control when seas are rough.

Customise

An interchangeable keypad gives you a choice an autopilot controls or user-programmable soft keys.

Find More Fish with RealVision MAX

RealVision MAX upgrades DownVision, SideVision, and 3D sonar with increased range, better resolution, and sharper fish targets

HydroTough Displays

Engineered to perform in extreme environments. HydroTough™ nano-coating technology repels water for reliable touchscreen control and enhances colours and sunlight visibility.

Navigate Smarter

Chartplotter, sonar, radar, autopilot, and video integrated together seamlessly with the super easy LightHouse 4 operating system.

Automatic Display Brightness

An ambient light sensor automatically adjusts display brightness for day and evening lighting conditions.

Network Like a Pro

Build a system with multiple Axiom displays and expanded video options, including HDMI output for remote displays and TVs.

AXIOM® 2 PRO

PART NO.	DESCRIPTION
AXIOM2 Pro S	
AXIOM2 Pro 9 S	
E70653	AXIOM2 Pro 9 S, HybridTouch 9" Multi-function Display with integrated High CHIRP Conical Sonar for CPT-S
E70653-00-NEU	AXIOM2 Pro 9 S, HybridTouch 9" Multi-function Display with integrated High CHIRP Conical Sonar for CPT-S and Northern European LightHouse Chart
E70653-00-WEU	AXIOM2 Pro 9 S, HybridTouch 9" Multi-function Display with integrated High CHIRP Conical Sonar for CPT-S and Western European LightHouse Chart
E70653-00-MED	AXIOM2 Pro 9 S, HybridTouch 9" Multi-function Display with integrated High CHIRP Conical Sonar for CPT-S and Mediterranean LightHouse Chart
AXIOM2 Pro 12 S	
E70655	AXIOM2 Pro 12 S, HybridTouch 12" Multi-function Display with integrated High CHIRP Conical Sonar for CPT-S
E70655-00-NEU	AXIOM2 Pro 12 S, HybridTouch 12" Multi-function Display with integrated High CHIRP Conical Sonar for CPT-S and Northern European LightHouse Chart
E70655-00-WEU	AXIOM2 Pro 12 S, HybridTouch 12" Multi-function Display with integrated High CHIRP Conical Sonar for CPT-S and Western European LightHouse Chart
E70655-00-MED	AXIOM2 Pro 12 S, HybridTouch 12" Multi-function Display with integrated High CHIRP Conical Sonar for CPT-S and Mediterranean LightHouse Chart
AXIOM2 Pro 16 S	
E70657	AXIOM2 Pro 16 S, HybridTouch 16" Multi-function Display with integrated High CHIRP Conical Sonar for CPT-S
E70657-00-NEU	AXIOM2 Pro 16 S, HybridTouch 16" Multi-function Display with integrated High CHIRP Conical Sonar for CPT-S and Northern European LightHouse Chart
E70657-00-WEU	AXIOM2 Pro 16 S, HybridTouch 16" Multi-function Display with integrated High CHIRP Conical Sonar for CPT-S and Western European LightHouse Chart
E70657-00-MED	AXIOM2 Pro 16 S, HybridTouch 16" Multi-function Display with integrated High CHIRP Conical Sonar for CPT-S and Mediterranean LightHouse Chart
AXIOM2 Pro RVM	
AXIOM2 Pro 9 RVM	
E70654	AXIOM2 Pro 9 RVM, HybridTouch 9" Multi-function Display with integrated 1kW Sonar, DV, SV and RealVision 3D Sonar
E70654-00-NEU	AXIOM2 Pro 9 RVM, HybridTouch 9" Multi-function Display with integrated 1kW Sonar, DV, SV, RealVision 3D Sonar and Northern European LightHouse Chart
E70654-00-WEU	AXIOM2 Pro 9 RVM, HybridTouch 9" Multi-function Display with integrated 1kW Sonar, DV, SV, RealVision 3D Sonar and Western European LightHouse Chart
E70654-00-MED	AXIOM2 Pro 9 RVM, HybridTouch 9" Multi-function Display with integrated 1kW Sonar, DV, SV, RealVision 3D Sonar and Mediterranean LightHouse Chart
AXIOM2 Pro 12 RVM	
E70656	AXIOM2 Pro 12 RVM, HybridTouch 12" Multi-function Display with integrated 1kW Sonar, DV, SV and RealVision 3D Sonar
E70656-00-NEU	AXIOM2 Pro 12 RVM, HybridTouch 12" Multi-function Display with integrated 1kW Sonar, DV, SV, RealVision 3D Sonar and Northern European LightHouse Chart
E70656-00-WEU	AXIOM2 Pro 12 RVM, HybridTouch 12" Multi-function Display with integrated 1kW Sonar, DV, SV, RealVision 3D Sonar and Western European LightHouse Chart
E70656-00-MED	AXIOM2 Pro 12 RVM, HybridTouch 12" Multi-function Display with integrated 1kW Sonar, DV, SV, RealVision 3D Sonar and Mediterranean LightHouse Chart
AXIOM2 Pro 16 RVM	
E70658	AXIOM2 Pro 16 RVM, HybridTouch 16" Multi-function Display with integrated 1kW Sonar, DV, SV and RealVision 3D Sonar
E70658-00-NEU	AXIOM2 Pro 16 RVM, HybridTouch 16" Multi-function Display with integrated 1kW Sonar, DV, SV and RealVision 3D Sonar and Northern European LightHouse Chart
E70658-00-WEU	AXIOM2 Pro 16 RVM, HybridTouch 16" Multi-function Display with integrated 1kW Sonar, DV, SV and RealVision 3D Sonar and Western European LightHouse Chart
E70658-00-MED	AXIOM2 Pro 16 RVM, HybridTouch 16" Multi-function Display with integrated 1kW Sonar, DV, SV and RealVision 3D Sonar and Mediterranean LightHouse Chart
AXIOM & AXIOM Pro Accessories	
CARTOGRAPHY	
R70794-IGB	LightHouse Chart (preloaded with UK & Ireland charts) on 32Gb micro SD card
R70794-NEU	LightHouse Chart (preloaded with Northern Europe charts) on 32 Gb micro SD card
R70794-WEU	LightHouse Chart (preloaded with Western Europe charts) on 32 Gb micro SD card
R70794-MED	LightHouse Chart (preloaded with Mediterranean region charts) on 32 Gb micro SD card
A80728	Navionics+ Blank µSD card for Regional Chart Download

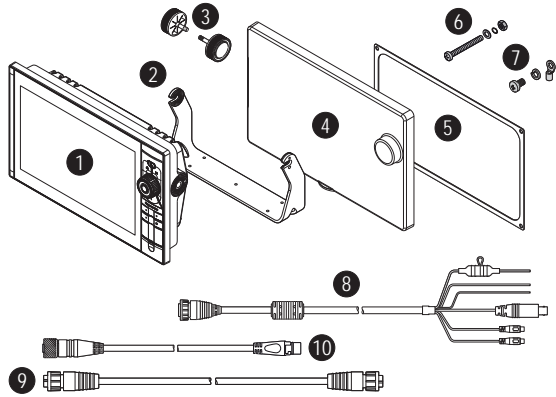
AXIOM® 2 PRO

PART NO.	DESCRIPTION
ACCESSORIES	
T70293	System Remote Control Keypad (RMK-10) Portrait & Landscape
A80585	Bulkhead Mount micro SD Card Reader with 1m Cable
A80440	Bulkhead Mount SD Card Reader and USB Socket with 1m Cable
A80589	GA200 GPS & Glonass antenna (AXIOM Pro, AXIOM XL & AIS 700/4000/5000)
E70310	Raystar 150 10Hz GPS/Glonass antenna (STng)
A80370	Pole Mount for RS150 GPS Antenna / Micro-Talk Puck
T70327	Raystar 150 10Hz GPS/Glonass antenna (STng) with Pole Mount
A80437	RS150/MicroTalk Puck Clamshell Riser Mounting Kit
A80731	RNS5 Gigabit Raynet Network Switch
A80732	RNS8 Gigabit Raynet Network Switch with 4 x POE ports
R70615	Spare RealVision 25-pin Locking Collar Kit
A80644	AirMar Embedded Transducer Junction Box
A80723	Micro HDMI (Type D) Video Out Cable 3M
A80721	DeviceNet to NMEA 0183 convertor
SUNCOVERS	
A80741	AXIOM2 Pro 9 Silicon Suncover
A80742	AXIOM2 Pro 12 Silicon Suncover
A80743	AXIOM2 Pro 16 Silicon Suncover
TRUNNION MOUNTING KITS	
R70384	AXIOM Pro 9 / eS9 Trunnion Mount Kit
R70389	AXIOM Pro 12 / eS12 Trunnion Mount Kit
A80722	AXIOM2 Pro 16 Engraved Stainless Steel Trunnion Mount Kit
FLUSH MOUNTING KITS	
R70385	AXIOM Pro 9 / eS9 Flush Mount Seal Kit
R70388	AXIOM Pro 12 / eS12 Flush Mount Seal Kit
R70599	AXIOM Pro 16 Flush Mount Seal Kit
REAR MOUNTING KITS	
A80342	AXIOM Pro 9 / eS9 Rear Mounting Bracket
A80343	AXIOM Pro 12 / eS12 Rear Mounting Bracket
POWER CABLES	
R70029	AXIOM Pro & XL, a9, a12, c9, c12, e7, e9, e12, e165, eS9, eS12 & gS Power cable, NMEA0183 & Video-in 1.5m Right Angle
R62379	AXIOM Pro & XL, a9, a12, c9, c12, e7, e9, e12, e165, eS9, eS12 & gS Power Cable, NMEA0183 & Video-in 1.5m Straight
A80745	AXIOM2 Pro & XL Power Cable, Right Angled 1.5M
A80744	AXIOM2 Pro & XL Power Cable, Straight 1.5M

AXIOM® 2 PRO



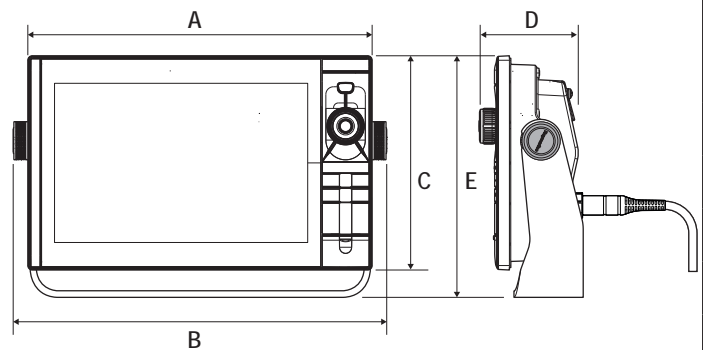
AXIOM 2 PRO: IN THE BOX



1. Display
2. Trunnion bracket (**Axiom 2 Pro 9 and 12 Only**)
3. Trunnion bracket fixings
4. Suncover
5. Gasket
6. Mounting fixings x 4 (Including bolts, washers, nuts)
7. M3 x 5 screw, M3 spring washer and M3 crimp terminal (for optional grounding connection)
8. Power/video/audio cable 1.5 m (4.92 ft)
9. RayNet 2 m (6.6 ft) network cable
10. SeaTalkng™ to DeviceNet 1 m (3.3 ft) adaptor cable

← (mm / in.) →

	AXIOM 2 PRO 9		AXIOM 2 PRO 12		AXIOM 2 PRO 16	
	mm	in	mm	in	mm	in
A	299.32	11.78	358	14.1	452	17.8
B	329.5	12.97	388.5	15.3	482.50	19.00
C	173.8	6.84	222.8	8.77	258	10.2
D	97.9	3.85	96.3	3.79	101.8	4.0
E	186.2	7.3	246.13	9.69	281.20	11.10



PART NO.	DESCRIPTION
ADAPTOR PLATES	
A80530	Adaptor Plate to fit AXIOM Pro 9 / AXIOM 2 Pro 9 into C90W/E90W size cutout
A80565	Adaptor Plate to fit AXIOM Pro 12 / AXIOM 2 Pro 12 into C120/E120 Classic size cutout
A80531	Adaptor Plate to fit AXIOM Pro 12 / AXIOM 2 Pro 12 into C120W/E120W size cutout
A80533	Adaptor Plate to fit AXIOM Pro 16 / AXIOM 2 Pro 16 into C140W/E140W/e165 size cutout
TRIM KITS	
R70383	AXIOM Pro 9 / eS9 Trim Kit
R70387	AXIOM Pro 12 / eS12 Trim Kit
R70598	AXIOM Pro 16 Trim Kit

AXIOM® 2 XL



SAILING



CRUISING
LUXURY YACHTS
SUPERYACHTS



OFFSHORE
FISHING

Axiom 2 XL, the flagship of the Axiom family, delivers powerful chartplotter performance, stylish large-format navigation, and the elegant simplicity of the LightHouse 4 operating system. Designed for all weather conditions, the rugged yet beautiful Axiom 2 XL displays are at home in open cockpits or enclosed glass bridge stations. Enhanced with powerful 6-core processors, expanded networking, and ultra-bright HydroTough displays, Axiom 2 XL is the premium chartplotter for captains who demand the best. Axiom 2 XL displays are available in 16, 19, 22, and 24-inch diagonal display sizes.

Glass Bridge

Axiom 2 XL offers the largest possible displays with the smallest overall footprint. Experience big-screen navigation even on tightly spaced helms.

More Powerful

Get underway faster with our most powerful 6-core chartplotter processor.

Remote Control

Add the RMK-10 keypad and enjoy complete remote keypad control of each Axiom 2 XL at your helm.

Advanced Video Integration

HDMI input, HDMI output, and USB touchscreen input lets you integrate with Axiom 2 XL with remote computers and HDTV monitors.

HydroTough Displays

Engineered to perform in extreme environments. HydroTough™ nano-coating technology repels water for reliable touchscreen control and delivers enhanced colours and sunlight visibility.

Navigate Smarter

Chartplotter, sonar, radar, autopilot, and video integrated together seamlessly with the intuitive LightHouse 4 operating system.

Automatic Display Brightness

An ambient light sensor automatically adjusts display brightness for day and evening lighting conditions.

Superior Networking

Create a glass bridge helm with multiple Axiom 2 XL displays and expanded video options, including 3 power-over-ethernet Raynet ports for video camera connectivity.

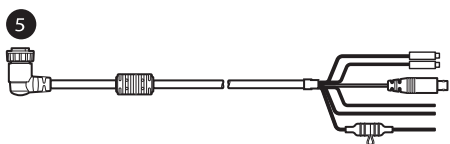
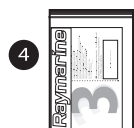
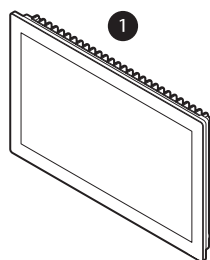
AXIOM[®] 2 XL

PART NO.	DESCRIPTION
AXIOM2 XL Glass Bridge Displays	
AXIOM2 XL Glass Bridge Displays	
E70661	AXIOM2 XL 16 - 15.6" Glass Bridge Multi-function Display
E70662	AXIOM2 XL 19 - 18.5" Glass Bridge Multi-function Display
E70663	AXIOM2 XL 22 - 21.5" Glass Bridge Multi-function Display
E70664	AXIOM2 XL 24 - 24" Glass Bridge Multi-function Display
ACCESSORIES	
A80585	Bulkhead Mount micro SD Card Reader with 1m Cable
A80440	Bulkhead Mount SD Card Reader and USB Socket with 1m Cable
A80589	GA200 GPS & Glonass antenna (AXIOM Pro, AXIOM XL & AIS 700/4000/5000)
E26033	External Alarm Buzzer
A80219	HDMI video cable IN/OUT, 5m, gs/AXIOM XL/AXIOM2 XL
A80235	Video In and Alarm Cable - 2m for AxiomXL and gS series
T70431	AXIOM XL Accessory Pack including GA200 GPS, RCR-SD/USB and Honk including cable
A80578	Touch Screen (USB B) to AXIOM XL (USB A right angle) Cable - 5m
A80579	AXIOM XL Touch Screen Out (USB B right angle) to Computer (USB A) Cable - 5m
A80733	Axiom2 XL 16 - Silicon Magnetic Suncover
A80734	Axiom2 XL 19 - Silicon Magnetic Suncover
A80735	Axiom2 XL 22 - Silicon Magnetic Suncover
A80736	Axiom2 XL 24 - Silicon Magnetic Suncover
R70668	Axiom XL 16" Rear mounting kit
R70669	Axiom XL 19" Rear mounting kit
R70675	Axiom XL 22" Rear mounting kit
R70670	Axiom XL 24" Rear mounting kit
T70293	System Remote Control Keypad (RMK-10) Portrait & Landscape
E70310	Raystar 150 10Hz GPS/Glonass antenna (STng)
A80370	Pole Mount for RS150 GPS Antenna / Micro-Talk Puck
T70327	Raystar 150 10Hz GPS/Glonass antenna (STng) with Pole Mount
A80437	RS150/MicroTalk Puck Clamshell Riser Mounting Kit
A80731	RNS5 Gigabit Raynet Network Switch
A80732	RNS8 Gigabit Raynet Network Switch with 4 x POE ports
POWER CABLES	
R70029	AXIOM Pro & XL, a9, a12, c9, c12, e7, e9, e12, e165, eS9, eS12 & gS Power cable, NMEA0183 & Video-in 1.5m Right Angle
R62379	AXIOM Pro & XL, a9, a12, c9, c12, e7, e9, e12, e165, eS9, eS12 & gS Power Cable, NMEA0183 & Video-in 1.5m Straight
A80745	AXIOM2 Pro & XL Power Cable, Right Angled 1.5M
A80744	AXIOM2 Pro & XL Power Cable, Straight 1.5M
CARTOGRAPHY	
R70794-IGB	LightHouse Chart (preloaded with UK & Ireland charts) on 32Gb micro SD card
R70794-NEU	LightHouse Chart (preloaded with Northern Europe charts) on 32 Gb micro SD card
R70794-WEU	LightHouse Chart (preloaded with Western Europe charts) on 32 Gb micro SD card
R70794-MED	LightHouse Chart (preloaded with Mediterranean region charts) on 32 Gb micro SD card
A80728	Navionics+ Blank µSD card for Regional Chart Download

AXIOM[®] 2 XL



AXIOM 2 XL: IN THE BOX



1. Axiom™ 2 XL MFD
2. Rear mounting bar x 2
3. Mounting gasket tape
4. Documentation pack
5. Power/Video/NMEA 0183 cable 1.5 m (4.92 ft) right-angled
6. Mounting bar fixings x 4 (M5 x 20 pozi countersunk)
7. Mounting fixings x 4 (Including M5 x 35 Bolts, M5 wavy washers, M5 nuts and mounting feet)
8. M3 x 5 screw, M3 spring washer and M3 crimp terminal (for optional grounding connection)
9. SeaTalkng™ to DeviceNet 1 m (3.3 ft) adaptor cable
10. RayNet 2 m (6.6 ft) network cable

AXIOM® 2 XL

(mm / in.)								
	AXIOM 2 XL 16		AXIOM 2 XL 19		AXIOM 2 XL 22		AXIOM 2 XL 24	
	mm	in	mm	in	mm	in	mm	in
A	394.9	15.54	462	18.1	534	21.02	578	22.76
B	248.22	9.77	289	11.3	326	12.83	387	15.23
C	9.0	0.35	9.0	0.35	9.0	0.35	9.0	0.35
D	73.96	2.91	73.96	2.91	79.75	3.14	76	3.0

The technical drawing shows a front view of the display on the left and a side view on the right. Dimension A is the width of the display. Dimension B is the height of the display. Dimension C is the thickness of the bezel. Dimension D is the depth of the mounting bracket. The side view shows the display mounted on a bracket with a cable connector.

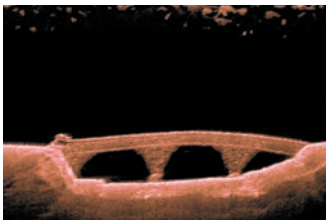
PART NO.	DESCRIPTION
RealVision BLACK BOX SOUNDER	
RealVision Black Box Sonar with 1kW Sonar, DownVision, SideVision and RealVision 3D Sonar	
E70511	RVX1000 RealVision Black Box Sonar with 1kW Sonar, DownVision, SideVision and RealVision 3D Sonar
E70665	RVM1600 RealVision Black Box Sonar with 1kW Sonar, DownVision, SideVision and RealVision 3D Sonar

RVX1000 SONAR



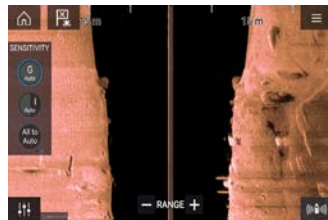
INSHORE AND OFFSHORE FISHING

The RVX1000 offers all of the sonar performance and features of Raymarine Axiom Pro in a remotely mounted black box sonar module. With Raymarine's award winning RealVision 3D sonar technology, CHIRP Side and DownVision, plus a high powered 1kW dual channel CHIRP sonar, the RVX1000 is a versatile sonar solution for both inshore and offshore fishing.



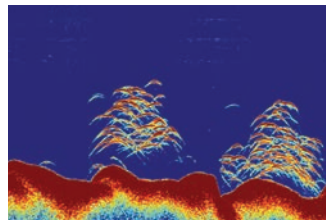
CHIRP DownVision

CHIRP DownVision® delivers a photo-like view of the world beneath your boat, allowing you to image bottom structures with amazing detail and simultaneously target fish.



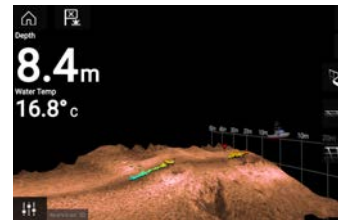
CHIRP SideVision

CHIRP SideVision® sonar expands your underwater horizon with bank-to-bank displays of fish, bait and underwater structures. SideVision lets you see further, see more clearly, and detect more fish than traditional side scanning sonars.



CHIRP DownVision

RVX1000 has built-in low power, high frequency CHIRP plus 1kW high power CHIRP supporting low, medium and high frequency bands. Dual transducer connections let you customise your sonar system with a wide range of transom mount, in-hull and through-hull options.



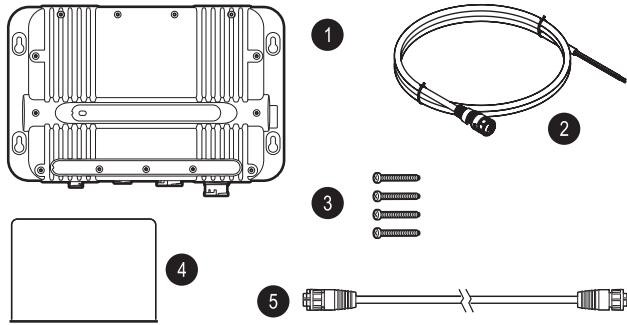
RealVision 3D

RealVision™ 3D give anglers the ability to see what's below, behind, and to the sides of the boat, all at once and in three-dimensions. RealVision 3D displays the entire underwater world—including structure, cover, fish and forage. Pan, tilt, and zoom the 3D image to examine from any angle.

RVX1000 SONAR

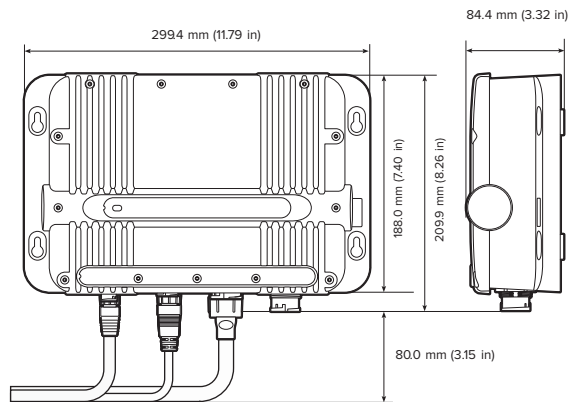


RVX1000: IN THE BOX



1. RVX1000 Sonar module
2. 1.5m power cable
3. Fixing screws
4. Documentation pack
5. RayNet Network Cable, 2m

← (mm / in.) →



PART NO.	DESCRIPTION
AXIOM, AXIOM Pro and RVX1000 Transducers	
Conical High CHIRP Direct Connect to AXIOM DV. Adaptor cable A80490 required for AXIOM RV & all AXIOM Pro	
A80490	Adaptor Cable (9 pin to 25 pin) attach (CPT-xxx) transducer to AXIOM RV or AXIOM Pro RVX & S, 300mm
E70342	CPT-S Plastic Conical HIGH CHIRP Transom Mount Transducer, 10m
A80691	CPT-S Plastic Conical HIGH CHIRP In-Hull Transducer, 0/12/20° fitting options with 6m cable
E70339	CPT-S Plastic Conical HIGH CHIRP Through Hull 0° Angled Element Transducer, 10m
A80448	CPT-S Plastic Conical HIGH CHIRP Through Hull 12° Angled Element Transducer, 10m
A80447	CPT-S Plastic Conical HIGH CHIRP Through Hull 20° Angled Element Transducer, 10m
A80446	CPT-S Bronze Conical HIGH CHIRP Through Hull 0° Angled Element Transducer, 10m
E70340	CPT-S Bronze Conical HIGH CHIRP Through Hull 12° Angled Element Transducer, 10m
E70341	CPT-S Bronze Conical HIGH CHIRP Through Hull 20° Angled Element Transducer, 10m

RVM1600 SONAR



INSHORE AND OFFSHORE FISHING

The RVM1600 with RealVision MAX technology takes Raymarine multi-channel CHIRP sonar performance to a new level. The next generation of DownVision, SideVision, 3D, and conventional CHIRP sonar, RealVision MAX delivers vivid sonar imagery and fish targets like never before. RealVision MAX starts with all-new high-performance RealVision CHIRP transducers, upgraded with larger elements and increased power output for extended-range performance. Next, RealVision MAX ++CHIRP signal processing and faster ping rates improve visual fidelity and target identification. With RealVision MAX, structure is more recognizable, and the most elusive fish are easily identifiable with high-contrast RealVision MAX sonar colour palettes.

Multi-Channel Sonar

The RVM1600 is equipped with both a 1 kW dual-channel CHIRP sonar plus RealVision MAX sonar channels, including High CHIRP, SideVision, DownVision, and 3D channel.

Maximum Clarity

RealVision MAX CHIRP sonar processing, combined with faster ping rates, delivers superior sonar imagery in CHIRP, Side, Down, and RealVision sonar channels.

Maximum Fish

New RealVision MAX high contrast colour palettes and fish targeting enhancements help you positively identify fish and bait.

Maximum Range

More powerful RealVision MAX CHIRP transducers with a 600-watt conical High CHIRP element and upgraded Side and DownVision elements deliver better fishfinding on longer-range scales.

CHIRP DownVision

CHIRP DownVision® delivers a photo-like view of the world beneath your boat. See bottom structures and fish targets with amazing detail.

CHIRP SideVision

CHIRP SideVision® sonar expands your underwater horizon with bank-to-bank displays of fish, bait, and underwater structures. See further and see more fish than traditional side scanning sonars.

Conventional CHIRP

RealVision Max transducers feature a 600-watt high-frequency conical CHIRP element for coastal fishing. A separate 1kW dual-channel CHIRP sonar for offshore fishing with a wide range of transom, in-hull and through-hull options.

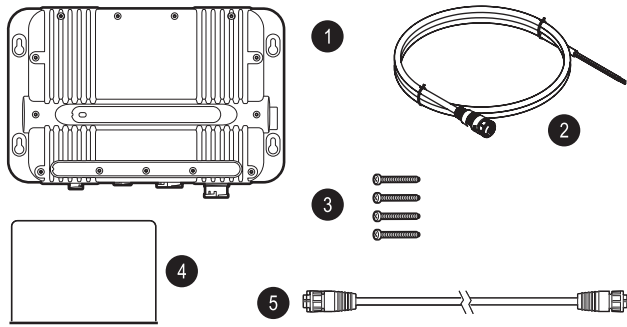
3D Sonar

RealVision MAX 3D sonar lets anglers see sonar data in a life-like 3D perspective view. Use 3D sonar to pinpoint that elusive wreck or setup the perfect drift.

RVM1600 SONAR

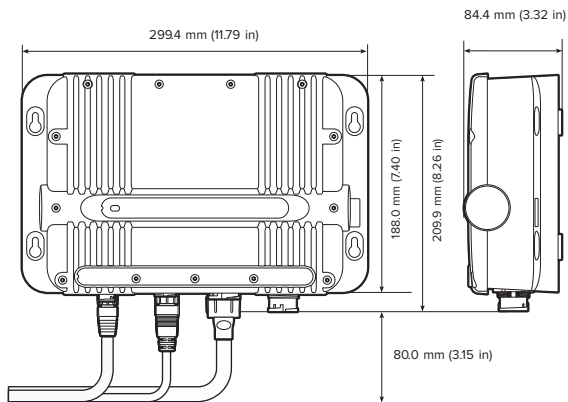


RVM1600: IN THE BOX



1. RVM1600 Sonar module
2. 1.5m power cable
3. Fixing screws
4. Documentation pack
5. RayNet Network Cable, 2m

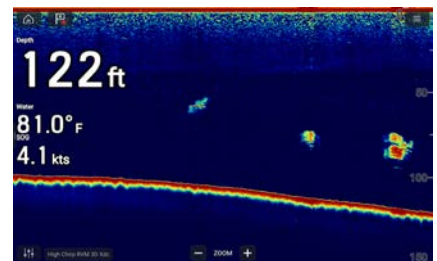
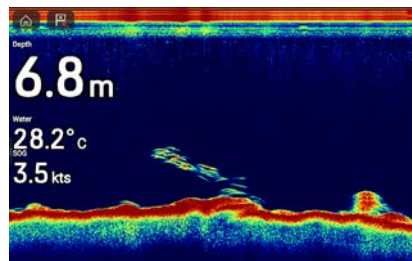
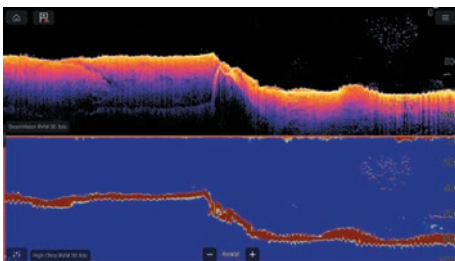
(mm / in.)



RVM-400
Through-Hull Transducer



RVM-100
Transom-Mount Transducer



RVX1000 / RVM1600 SONAR

PART NO.	DESCRIPTION
Conical High CHIRP & DownVision Transducer Direct Connect to AXIOM DV. Adaptor cable A80490 required for AXIOM RV, AXIOM Pro-RVX & RVX1000	
A80490	Adaptor Cable (9 pin to 25 pin) attach (CPT-xxx) transducer to AXIOM RV or AXIOM Pro RVX & S, 300mm
A80351	CPT-100DVS Plastic Transom Mount Chirp Transducer, Depth & Temp, Direct connect to CP100 & xx8 MFDs (10m cable)
A80277	CPT-110 Plastic Through Hull Chirp Transducer with High Speed Fairing, Depth & Temp, Direct connect to CP100 & xx8 MFDs (10m cable)
A80350	CPT-120 Bronze Through Hull Chirp Transducer with High Speed Fairing, Depth & Temp, Direct connect to CP100 & xx8 MFDs (10m cable)
AXIOM RV, AXIOM Pro-RVX and RVX1000 RealVision 3D Transducers	
A80464	RV-100 RealVision 3D Transom Mount Transducer, Direct connect to AXIOM MFDs (8m cable)
A80470	RV-300 RealVision 3D Plastic Through Hull Transducer 0°, Direct connect to AXIOM (8m cable)
T70320	Pack of RV-312 RealVision 3D Plastic Thru Hull Txds, Port & Starboard 12°, Direct connect to AXIOM (2 x 2m, Y-cable and 8m extension cable)
T70321	Pack of RV-320 RealVision 3D Plastic Thru Hull Txds, Port & Starboard 20°, Direct connect to AXIOM (2 x 2m, Y-cable and 8m extension cable)
A80465	RV-200 RealVision 3D Bronze Through Hull Transducer 0°, Direct connect to AXIOM (8m cable)
T70318	Pack of RV-212 RealVision 3D Bronze Thru Hull Txds, Port & Starboard 12°, Direct connect to AXIOM (2 x 2m, Y-cable and 8m extension cable)
T70319	Pack of RV-220 RealVision 3D Bronze Thru Hull Txds, Port & Starboard 20°, Direct connect to AXIOM (2 x 2m, Y-cable and 8m extension cable)
A80615	RV-400 RealVision 3D Stainless Steel Through Hull Transducer 0°, Direct connect to AXIOM (8m cable)
T70450	Pack of RV-412 RealVision 3D Stainless Steel Thru Hull Txds, Port & Starboard 12°, Direct connect to AXIOM (2 x 2m, Y-cable and 8m extension cable)
T70451	Pack of RV-420 RealVision 3D Stainless Steel Thru Hull Txds, Port & Starboard 20°, Direct connect to AXIOM (2 x 2m, Y-cable and 8m extension cable)
AXIOM2 Pro RVM and RVM1600 RealVision 3D Transducers	
A80703	RVM-100 RealVision 3D Transom Mount Transducer, Direct connect to AXIOM2 Pro MFDs and RVM1600 (8m cable)
A80704	RVM-400 RealVision 3D Stainless Steel Through Hull Transducer 0°, Direct connect to AXIOM2 and RVM1600 (8m cable)
T70543	Pack of RVM-412 RealVision 3D Stainless Steel Thru Hull Txds, Port & Starboard 12°, Direct connect to AXIOM2 and RVM1600 (2 x 2m, Y-cable and 8m extension cable)
T70544	Pack of RVM-420 RealVision 3D Stainless Steel Thru Hull Txds, Port & Starboard 20°, Direct connect to AXIOM2 and RVM1600 (2 x 2m, Y-cable and 8m extension cable)
Non CHIRP 50/200 KHz transducer for AXIOM DV (A80484 required) and AXIOM RV Only (A80488 required)	
A80484	Adaptor Cable (7 pin to 9 pin) to attach an Airmar (7 pin) transducer to AXIOM 7 DV (9 pin)
A80488	Adaptor Cable (7 pin to 25 pin) to attach an Airmar transducer (7 pin) to AXIOM RV (25 pin)
AXIOM, AXIOM Pro and RVX1000 Transducers	
Non CHIRP 50/200 KHz transducer for AXIOM DV (A80485 required), AXIOM RV Only (A80489 required) & AXIOM Pro-RVX or RVX1000 (A80496 required)	
A80485	Adaptor Cable (8 pin to 9 pin) to attach an Airmar (8 pin) transducer to AXIOM 7 DV (9 pin)
A80489	Adaptor Cable (8 pin to 25 pin) to attach an Airmar (8 pin) transducer to AXIOM RV (25 pin)
A80496	Adaptor Cable to attach an Airmar transducer (8 pin) to AXIOM Pro-RVX (11 pin)
A80567	P74 Depth & Temp In Hull Transducer with 9m cable (CP370 connect 8-pin)
E66008	P79 600W Depth Plastic In-Hull Transducer with Adjustable Angle (8-Pin / CP370)
E66013	P319 600W Depth Plastic Low Profile Through Hull Transducer 50/200kHz
E66014	B117 600W Depth Low Profile Bronze Through Hull Transducer
E66077	P319 600W Depth & Temp Plastic Through Hull Transducer 50/200 kHz (CP370 8-pin)
E66086	B60 600W Depth & Temp Bronze Through Hull Transducer with 12° Tilted Element
E66085	B60 600W Depth & Temp Bronze Through Hull Transducer with 20° Tilted Element
E66054	P66 600W Depth, Speed & Temp Transom Mount Transducer
A66091	B744V 600W Depth, Speed & Temp Bronze Through Hull Retractable Transducer (includes E66023 Fairing Block)
A66092	B744VL 600W Depth, Speed & Temp Bronze Long Stem Through Hull Retractable Transducer (includes E66023 Fairing Block)
A66089	M260 1000W Depth Transducer with in hull-kit
E66076	R199 1000W Depth In-Hull Transducer

RVX1000 / RVM1600 SONAR

PART NO.	DESCRIPTION
E66084	TM258 1000W Depth and Temp Transom Mount Transducer with Transom Mount Bracket (8 pin)
E66082	B258 1000W Depth & Temp Bronze Through Hull Transducer including Fairing Block (8 pin)
A102137	B164 1000W Depth & Temp Bronze Transducer 0° 50/200 kHz Flush (8 pin)
A102112	B164 1000W Depth & Temp Bronze Transducer 12° 50/200 kHz Low Profile (8 pin)
A102113	B164 1000W Depth & Temp Bronze Transducer 20° 50/200 kHz Low Profile (8 pin)
A80451	SS164 1000W Depth & Temp Stainless Steel Through Hull 0° Transducer 200/50 kHz (8 pin)
A66098	SS164 1000W Depth & Temp Stainless Steel Through Hull 12° Transducer 200/50 kHz (8 pin)
A66099	SS164 1000W Depth & Temp Stainless Steel Through Hull 20° Transducer 200/50 kHz (8 pin)
E66079	B260 1000W Depth & Temp Bronze Broadband Through Hull including Fairing Block (8 pin)
AXIOM Pro-RVX, RVX1000, CP470 & CP570 600W/1KW/2KW/3KW Transducers - No Adaptor cable required - See CP470 Section	
AXIOM ADAPTOR CABLES	
A80515	AXIOM RV 45mm Right Angle Connector for AXIOM Transducers
A80484	Adaptor Cable (7 pin to 9 pin) to attach an Airmar (7 pin) transducer to AXIOM 7 DV (9 pin)
A80485	Adaptor Cable (8 pin to 9 pin) to attach an Airmar (8 pin) transducer to AXIOM 7 DV (9 pin)
A80486	Y-Cable (9 & 7 pin to 9 pin) to attach a DownVision (CPT-1xx) Transducer & an Airmar (7 pin) embedded 600W transducer to AXIOM 7 DV (9 pin)
A80487	Y-Cable (9 & 8 pin to 9 pin) to attach a DownVision (CPT-1xx) Transducer & an Airmar (8 pin) transducer to AXIOM 7 DV (9 pin)
A80488	Adaptor Cable (7 pin to 25 pin) to attach an Airmar transducer (7 pin) to AXIOM RV (25 pin)
A80489	Adaptor Cable (8 pin to 25 pin) to attach an Airmar (8 pin) transducer to AXIOM RV (25 pin)
A80490	Adaptor Cable (9 pin to 25 pin) attach (CPT-xxx) transducer to AXIOM RV or AXIOM Pro RVX & S, 300mm
A80491	Y-Cable (25 & 7 pin to 25 pin) to attach a RealVision 3D (RV-xxx) Transducer & an Airmar (7 pin) transducer to AXIOM RV (25 pin)
A80492	Y-Cable (25 & 8 pin to 25 pin) to attach a RealVision 3D (RV-xxx) Transducer & an Airmar (8 pin) transducer to AXIOM RV (25 pin)
A80493	Y-Cable (9 & 7 pin to 25 pin) to attach a DownVision (CPT-1xx) Transducer & an Airmar (7 pin) transducer to AXIOM RV (25 pin)
A80494	Y-Cable (9 & 8 pin to 25 pin) to attach a DownVision (CPT-1xx) Transducer & an Airmar (8 pin) transducer to AXIOM RV
A80496	Adaptor Cable to attach an Airmar transducer (8 pin) to AXIOM Pro-RVX (11 pin)
EXTENSION CABLES	
A80273	Transducer Extension for CPT-S, CPT100, CPT110 & CPT120 (4m cable)
A80475	3m RealVision 3D Transducer Extension Cable
A80476	5m RealVision 3D Transducer Extension Cable
A80477	8m RealVision 3D Transducer Extension Cable
E66010	5m Transducer Extension Cable with Removable Back-Shell for Airmar transducers (8 pin)
E66066	Transducer Adaptor Cable for DSM/CP370 style transducers a,c,e Series 8 pin to 7 pin
A62363	1m Minnkota Adaptor Cable (7 pin)
TRANSDUCER MOUNTING PLATES	
R70521	RV-100 Transom Mounting Bracket
A80479	Step Mount for RV-100 RealVision 3D transom Mount Transducer
A80480	Jack Plate Mount for RV-100 RealVision 3D transom Mount Transducer
A80482	Spacer Kit for Jack Plate Mount for RV-100 RealVision 3D transom Mount Transducer

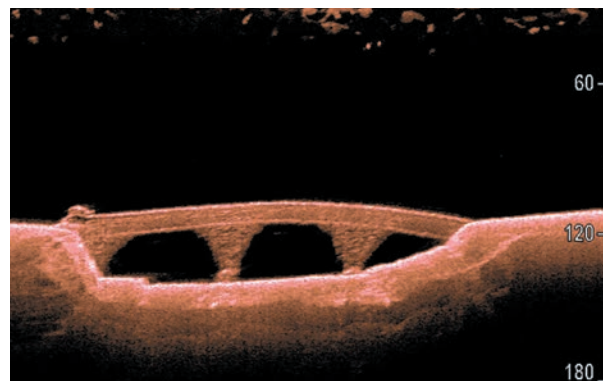
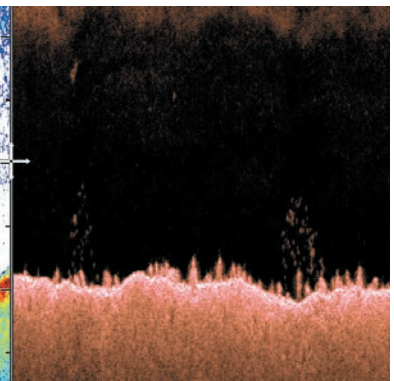
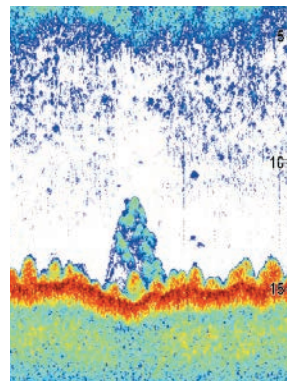
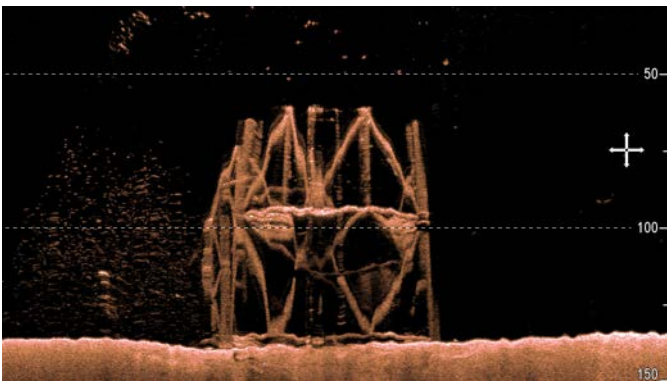
CP100 SONAR



FRESHWATER AND COASTAL FISHING

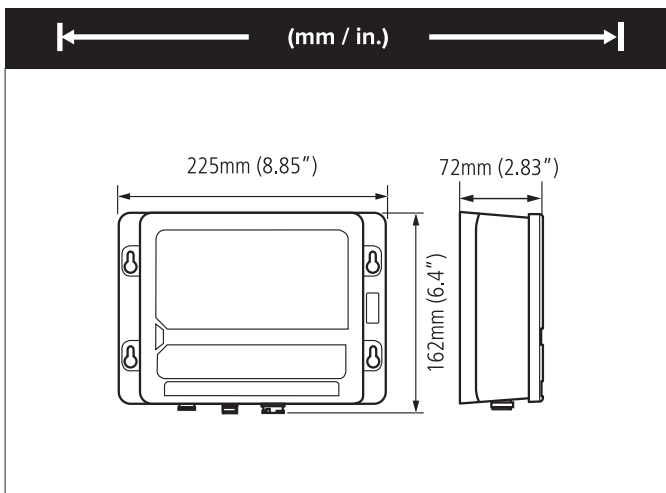
CP100 DownVision Sonar Module

The CP100 network sonar module brings CHIRP DownVision technology to Raymarine's chartplotters displays. CP100's CHIRP DownVision delivers a photo like view of the world beneath your boat, allowing you to image bottom structure with amazing detail and target fish simultaneously.



CP100 SONAR

PART NO.	DESCRIPTION
CP100	
DOWNVISION & SIDEVISION SOUNDER MODULE	
E70204	CP100 DownVision Fishfinder
CHIRP SONAR, DOWNVISION & SIDEVISION TRANSDUCERS	
E70342	CPT-S Plastic Conical HIGH CHIRP Transom Mount Transducer, 10m
A80691	CPT-S Plastic Conical HIGH CHIRP In-Hull Transducer, 0/12/20° fitting options with 6m cable
E70339	CPT-S Plastic Conical HIGH CHIRP Through Hull 0° Angled Element Transducer, 10m
A80448	CPT-S Plastic Conical HIGH CHIRP Through Hull 12° Angled Element Transducer, 10m
A80447	CPT-S Plastic Conical HIGH CHIRP Through Hull 20° Angled Element Transducer, 10m
A80446	CPT-S Bronze Conical HIGH CHIRP Through Hull 0° Angled Element Transducer, 10m
E70340	CPT-S Bronze Conical HIGH CHIRP Through Hull 12° Angled Element Transducer, 10m
E70341	CPT-S Bronze Conical HIGH CHIRP Through Hull 20° Angled Element Transducer, 10m
A80351	CPT-100DVS Plastic Transom Mount Chirp Transducer, Depth & Temp, Direct connect to CP100 & xx8 MFDs (10m cable)
A80277	CPT-110 Plastic Through Hull Chirp Transducer with High Speed Fairing, Depth & Temp, Direct connect to CP100 & xx8 MFDs (10m cable)
A80350	CPT-120 Bronze Through Hull Chirp Transducer with High Speed Fairing, Depth & Temp, Direct connect to CP100 & xx8 MFDs (10m cable)
A80281	CPT-200 Transom Mount Chirp Transducer, SideVision & Temp, Direct connect to CP200 (10m cable)
ACCESSORIES	
A80363	CPT-S Trolling Motor Mounting Kit
R70830	CPTS In-Hull Spares (Tank, O-ring, R Clip)
R70496	CPT-S Transom Bracket with Hardware
A80330	CPT-DV / CPT-DVS / CPT-100DVS Trolling Motor Mount
A80273	Transducer Extension for CPT-S, CPT100, CPT110 & CPT120 (4m cable)



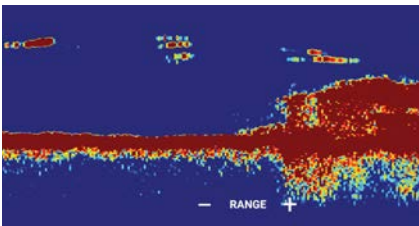
CP100: IN THE BOX

1. Sonar module
2. 1.0m (3.28 ft) power cable
3. Fixing screws
4. Documentation pack

CP370 SONAR



OFFSHORE AND COASTAL FISHING



The CP370 delivers exceptional clarity, sharper fish targets, and automatic operation using Raymarine's next-generation ClearPulse™ digital sonar processing. The CP370 boasts up to 1,000 watts of power and operates at 200kHz for inshore and 50kHz for offshore fishing. ClearPulse™ signal processing intelligently manages the CP370 sonar parameters in all conditions so anglers can spend more time fishing and less time adjusting the sonar.

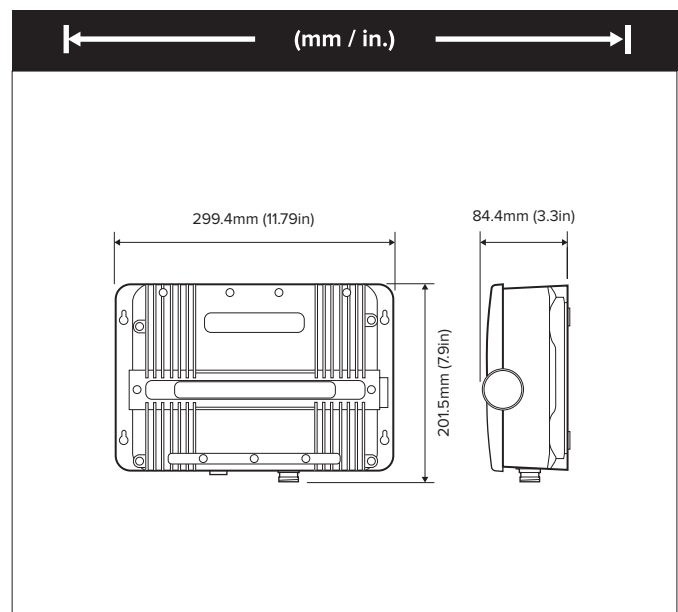
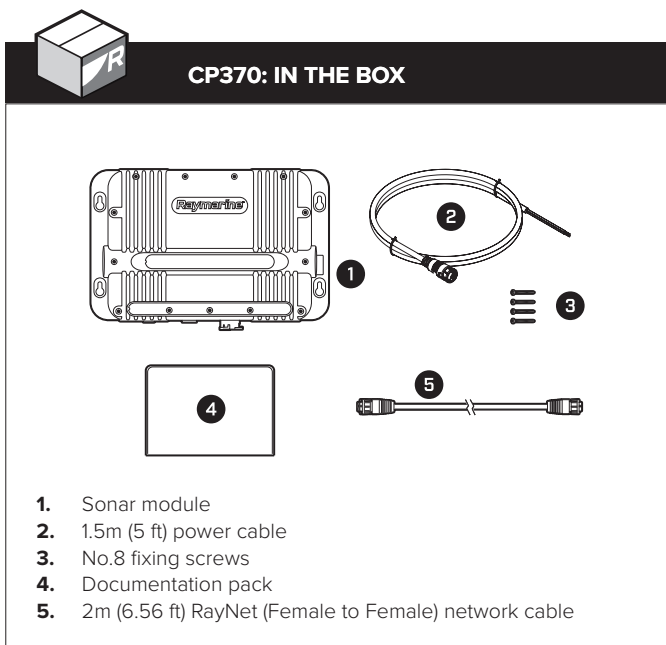
CP370 MFD Compatibility

aSeries | cSeries | eSeries | eS Series | gS Series | C-Widescreen | G-Series- Classic | E-Classic | E-Widescreen | Axiom | Axiom+ | Axiom Pro | Axiom XL | Axiom 2 Pro | Axiom 2 XL

PART NO.	DESCRIPTION
CP370	
CP370 SOUNDER MODULE	
E70297	CP370 ClearPulse 1KW Sonar Module
DEPTH – 600W TRANSDUCERS	
E66008	P79 600W Depth Plastic In-Hull Transducer with Adjustable Angle (8-Pin / CP370)
E66013	P319 600W Depth Plastic Low Profile Through Hull Transducer 50/200kHz
E66014	B117 600W Depth Low Profile Bronze Through Hull Transducer
DEPTH/TEMPERATURE – 600W TRANSDUCERS	
A80567	P74 Depth & Temp In Hull Transducer with 9m cable (CP370 connect 8-pin)
E66085	B60 600W Depth & Temp Bronze Through Hull Transducer with 20° Tilted Element
E66086	B60 600W Depth & Temp Bronze Through Hull Transducer with 12° Tilted Element
A80568	SS60 600W Depth & Temp Stainless Steel Through Hull Transducer with 0° Element & 9m cable
A80569	SS60 600W Depth & Temp Stainless Steel Through Hull Transducer with 12° Tilted Element & 9m cable
A80570	SS60 600W Depth & Temp Stainless Steel Through Hull Transducer with 20° Tilted Element & 9m cable
E66077	P319 600W Depth & Temp Plastic Through Hull Transducer 50/200 kHz (CP370 8-pin)

CP370 SONAR

PART NO.	DESCRIPTION
DEPTH/SPEED/TEMPERATURE – 600W TRANSDUCERS	
E66054	P66 600W Depth, Speed & Temp Transom Mount Transducer
A66091	B744V 600W Depth, Speed & Temp Bronze Through Hull Retractable Transducer (includes E66023 Fairing Block)
A66092	B744VL 600W Depth, Speed & Temp Bronze Long Stem Through Hull Retractable Transducer (includes E66023 Fairing Block)
DEPTH – 1KW HIGH PERFORMANCE TRANSDUCERS	
A66089	M260 1000W Depth Transducer with in hull-kit
E66076	R199 1000W Depth In-Hull Transducer
DEPTH/TEMPERATURE – 1KW HIGH PERFORMANCE TRANSDUCERS	
E66084	TM258 1000W Depth and Temp Transom Mount Transducer with Transom Mount Bracket (8 pin)
E66082	B258 1000W Depth & Temp Bronze Through Hull Transducer including Fairing Block (8 pin)
A102112	B164 1000W Depth & Temp Bronze Transducer 12° 50/200 kHz Low Profile (8 pin)
A102113	B164 1000W Depth & Temp Bronze Transducer 20° 50/200 kHz Low Profile (8 pin)
A102137	B164 1000W Depth & Temp Bronze Transducer 0° 50/200 kHz Flush (8 pin)
A80451	SS164 1000W Depth & Temp Stainless Steel Through Hull 0° Transducer 200/50 kHz (8 pin)
A66098	SS164 1000W Depth & Temp Stainless Steel Through Hull 12° Transducer 200/50 kHz (8 pin)
A66099	SS164 1000W Depth & Temp Stainless Steel Through Hull 20° Transducer 200/50 kHz (8 pin)
E66079	B260 1000W Depth & Temp Bronze Broadband Through Hull including Fairing Block (8 pin)
ACCESSORIES	
E66010	5m Transducer Extension Cable with Removable Back-Shell for Airmar transducers (8 pin)
E66066	Transducer Adaptor Cable for DSM/CP370 style transducers a,c,e Series 8 pin to 7 pin
E66023	B744V/B744VL Hi-Speed Fairing Block



CP470 & CP570 SONAR

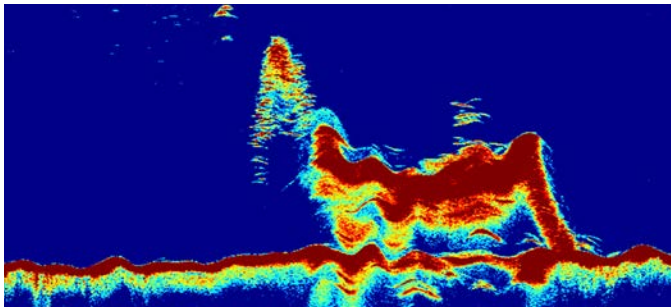


CP470
OFFSHORE AND COASTAL



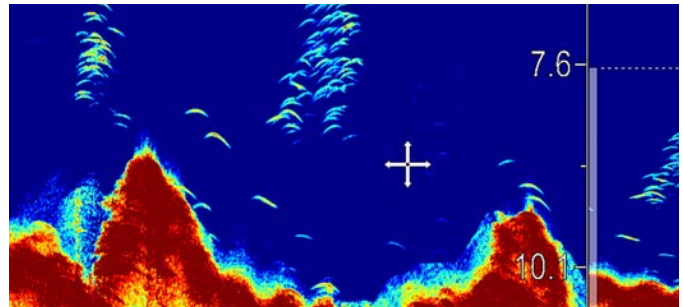
CP570
PROFESSIONAL & TOURNAMENT

With ten times the resolution of ordinary sonars, the CP470 and CP570 CHIRP sonar modules deliver sharper, more defined fish targets, and automatically filter out unwanted noise. Pair these powerful CHIRP sonar modules with any Axiom chartplotter, and you will never miss any of the action below.



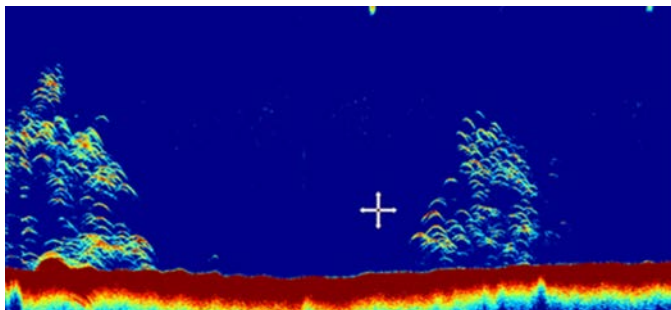
Serious Offshore Sonar

Using a choice of Low, Medium, or High frequencies the CP470, and CP570's advanced CHIRP transceivers can see through dense schools of baitfish, identify thermoclines, and simultaneously target desired game fish.



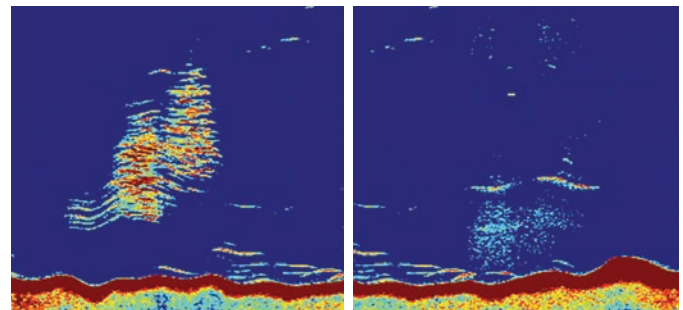
Best-in-Class Target Separation

The CP470 and CP570 deliver superior target definition and enhanced sensitivity using Raymarine's exclusive wide spectrum CHIRP sonar technology.



CP470 2kW CHIRP

Target fish, identify bait, and track the seafloor down to 10,000ft. (3,000m) with two adjustable CHIRP sonar channels.



CP570: Up to 4kW of Power

Step up to the CP570 with a combined 4kW of CHIRP sonar power. Hunt for fish in different parts of the water column with the CP570's two fully independent 2kW sonar channels.

CP470 & CP570 SONAR

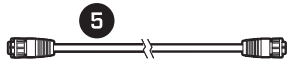
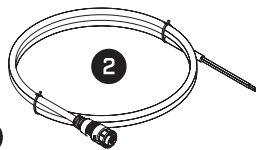
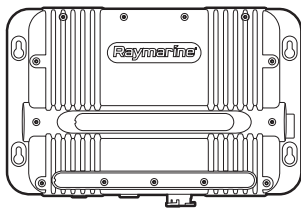
PART NO.	DESCRIPTION
CP470 & CP570	
CP470/CP570 SOUNDER MODULE	
E70298	CP470 Clear Pulse 470 CHIRP
E70258	CP570 Clear Pulse 570 CHIRP
CP470/CP570 300W - 600W TRANSDUCERS	
A80806	TM150M 300W D/T 300W Transom Mount
A80805	B150M 300W D/T Through Hull 20° Angle
A80016	B75L Bronze Low Profile D/T Through Hull Transducer 0° Angle (300W)
A80017	B75M Bronze Low Profile D/T Through Hull Transducer 0° Angle (600W)
A80018	B75H Bronze Low Profile D/T Through Hull Transducer 0° Angle (600W)
A80034	B75M Bronze Low Profile D/T Through Hull Transducer 12° Angle (600W)
A80035	B75H Bronze Low Profile D/T Through Hull Transducer 12° Angle (600W)
A80036	B75M Bronze Low Profile D/T Through Hull Transducer 20° Angle (600W)
A80037	B75H Bronze Low Profile D/T Through Hull Transducer 20° Angle (600W)
CP470/CP570 1KW TRANSDUCERS	
A80042	B175L Bronze Low Profile 1000W D/T Through Hull Transducer 0° Angle
A80043	B175M Bronze Low Profile 1000W D/T Through Hull Transducer 0° Angle
A80044	B175H Bronze Low Profile 1000W D/T Through Hull Transducer 0° Angle
A80045	B175L Bronze Low Profile 1000W D/T Through Hull Transducer 12° Angle
A80046	B175M Bronze Low Profile 1000W D/T Through Hull Transducer 12° Angle
A80047	B175H Bronze Low Profile 1000W D/T Through Hull Transducer 12° Angle
A80048	B175L Bronze Low Profile 1000W D/T Through Hull Transducer 20° Angle
A80049	B175M Bronze Low Profile 1000W D/T Through Hull Transducer 20° Angle
A80801	B175M Wide Beam Bronze Low Profile 1000W D/T Through Hull Transducer 20° Angle
A80050	B175H Bronze Low Profile 1000W D/T Through Hull Transducer 20° Angle
A80319	B175H-W 1000W D/T Through Hull Wide Beam Transducer 0° Angle
A80320	B175H-W 1000W D/T Through Hull Wide Beam Transducer 12° Angle
A80321	B175H-W 1000W D/T Through Hull Wide Beam Transducer 20° Angle
CP470 & CP570	
CP470/CP570 1KW TRANSDUCERS	
A80010	B265LH D/T Through Hull Low-High Transducer
A80011	B265LM D/T Through Hull Low-Medium Transducer
A80322	B275LH-W 1000W D/T Through Hull Low-High Wide Beam Bronze Transducer with Fairing Block
A80012	M265LH D In Hull Low-High Transducer
A80038	M265LM D In Hull Low-Medium Transducer
A80013	TM265 LH D/T Transom Mount Low-High Transducer
A80041	TM265 LM D/T Transom Mount Low-Medium Transducer
A80318	TM275LH-W 1000W D/T Transom Mount Low-High Wide Beam Transducer
A80325	PM275LH-W 1000W D/T Pocket/Keel Mount Low-High Wide Beam Transducer
A80803	TM185MW D/T 1000W Transom Mount
A80804	TM185HW D/T 1000W Transom Mount
A80504	SS175L Low CHIRP 1KW D/T Through Hull Transducer 20° Angle

CP470 & CP570 SONAR

PART NO.	DESCRIPTION
A80505	SS175M Medium CHIRP 1kW D/T Through Hull Transducer 20° Angle
A80802	SS175M Wide Beam CHIRP 1kW D/T Through Hull Transducer 20° Angle
A80506	SS175H Wide Beam CHIRP 1kW D/T Through Hull Transducer 20° Angle
CP470/CP570 2KW TRANSDUCERS (Note: ALL -W transducers require extension cable)	
A80039	R109 D/T Through Hull Low-High 2KW molded Transducer
A80040	R109 D/T Through Hull Low-Medium 2KW molded Transducer
A80323	R109LH-W 2KW D/T Through Hull Low-High molded Wide Beam Transducer
A80133	R111 D/T In Hull Low-High 2KW Molded Transducer
A80134	R111 D/T In Hull Low-Medium 2KW Molded Transducer
A80326	PM111LH-W 2KW D/T Pocket/Keel Mount Low-High Wide Beam Transducer
A80378	PM411LM-W UltraWide 2KW Pocket/Keel-Mount Low-Medium CHIRP Transducer
A80377	R409LM-W UltraWide 2KW Through Hull Low-Medium CHIRP Transducer

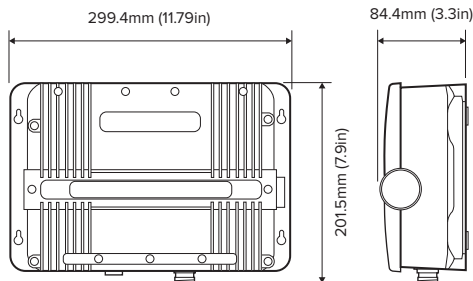


CP470 / CP570: IN THE BOX



1. Sonar module
2. 1.5 m (5 ft) power cable
3. No.8 fixing screws
4. Documentation pack
5. 2 m (6.56 ft) RayNet (Female) to RayNet (Female) network cable

← (mm / in.) →



CP470 & CP570 SONAR

PART NO.	DESCRIPTION
CP470/CP570 3KW TRANSDUCERS (Note: ALL -W transducers require extension cable)	
A80210	R509 D/T Through Hull Low-High Hi Performance 3KW Transducer
A80211	R509 D/T Through Hull Low-Medium Hi Performance 3KW Transducer
A80324	R509LH-W 3KW D/T Through Hull Wide Beam Transducer
A80212	R599 D/T In Hull Low-High Hi Performance 3KW Transducer
A80213	R599 D/T In Hull Low-Medium Hi Performance 3KW Transducer
CP470/CP570 ACCESSORIES	
A102146	CP470/CP570 Y-Cable
A102148	CP470/CP570 3m Transducer Extension Cable
A102150	CP470/CP570 5m Transducer Extension Cable
A80327	CP470/CP570 10m Transducer Extension Cable
A80328	Single B75/B175 Operation Cable
A80345	CP470-CP570 Speed-Temp Y-Cable
A80346	CP370/CP470/CP570 Power Cable (also for C-and E-Classic Series MFD and M1xx/M2xx thermal camera)

QUANTUM RADAR



SAILING

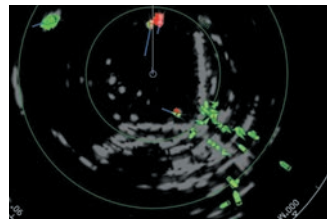
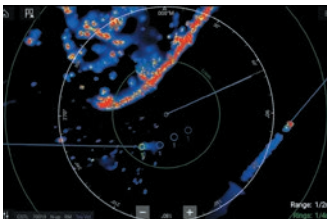


CRUISING



FISHING

Day and night, radar systems from Raymarine keep you aware of surrounding traffic, hazards and obstacles, approaching weather and so much more. Use your radar to navigate in dense fog or rain. Confirm your boat's position with super-accurate radar ranges. Let MARPA help you navigate safely through a crowded harbour. Enjoy map-like coastal detail when cruising offshore. Raymarine offers a wide range of radar solutions for all types and sizes of boats.



Compact Performance

Quantum radars use solid-state CHIRP pulse compression technology to deliver superior target awareness at both long and extremely short ranges. FLIR's exclusive ATX™ advanced target separation technology displays targets like boats, buoys, and landmarks with exceptional resolution and separation quality.

Energy Efficient

Quantum radar's solid-state technology consumes very little power, making Quantum especially friendly to vessels running on battery power. Solid-state radar technology also generates very low radiated emissions.

Quantum 2 with Doppler

Quantum 2 with Doppler elevates your awareness by detecting radar frequency shifts returned by moving versus stationary targets. Quantum 2 then colour codes inbound targets red (dangerous) and outbound targets green (safe), making it easy to discern potentially hazardous situations when navigating in high-traffic areas.

Simple Installation

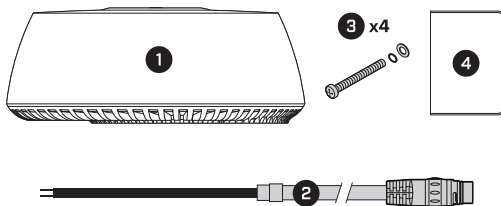
With every Raymarine Quantum system, you'll also benefit from a rugged and lightweight design that is easy to install. Quantum 2 can be installed in a traditionally wired configuration, or use built-in Wi-Fi technology to connect directly to your Raymarine MFD.

QUANTUM RADAR

PART NO.	DESCRIPTION
Radar	
QUANTUM, PULSE COMPRESSED CHIRP RADAR	
E70210	Quantum Q24C 18" Radar with 10m Power Cable
T70243	Quantum Q24C 18" Radar with 10m Power and 10m Data Cable
T70266	Quantum Q24C 18" Radar with 15m Power and 15m Data Cable
QUANTUM 2 DOPPLER, PULSE COMPRESSED CHIRP RADAR	
E70498	Quantum Q24D Doppler 18" Radar with no Power or Data Cable
T70416	Quantum Q24D Doppler 18" Radar with 10m Power Cable and 10m Data Cable
T70417	Quantum Q24D Doppler 18" Radar with 15m Power Cable and 15m Data Cable
BLACK QUANTUM 2 DOPPLER, PULSE COMPRESSED CHIRP RADAR	
E70498-B	Black Quantum Q24D Doppler 18" Radar with no Power or Data Cable
T70549	Black Quantum Q24D Doppler 18" Radar with 10m Power Cable and 10m Data Cable
T70550	Black Quantum Q24D Doppler 18" Radar with 15m Power Cable and 15m Data Cable
QUANTUM CABLES	
A80274	Quantum Data Cable 5m with Raynet connector
A80275	Quantum Data Cable 10m with Raynet Connector
A80310	Quantum Data Cable 15m with Raynet Connector
A80311	Quantum Data Cable 25m with Raynet Connector
A80309	Quantum Power Cable 10m with bare wires
A80369	Quantum Power Cable 15m with bare wires
A80308	Quantum Power-Data Adapter Cable

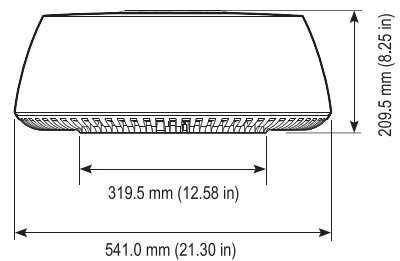


QUANTUM / QUANTUM 2: IN THE BOX



1. Quantum™ Radome
2. 10 m (32.8 ft.) Power cable
3. M8 mounting bolts with spring washers and flat washers
4. Documentation pack (including mounting template)

← (mm / in.) →



MAGNUM RADAR



SAILING



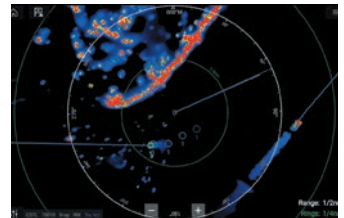
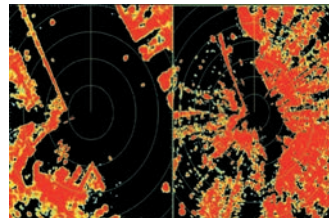
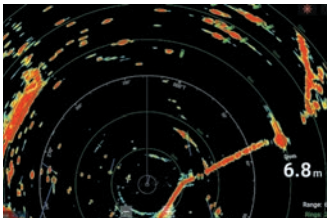
CRUISING / WORKBOAT/
LAW ENFORCEMENT



FISHING

Magnum Open Arrays

Magnum™ high-performance open array radars bring long-range performance and enhanced small target radar imaging to Raymarine multifunction navigation displays. Employing many of the same radar technologies trusted by the United States Coast Guard, Magnum offers intelligent target tracking and reliable performance, all packaged in a sleek open array pedestal built to withstand the elements.



Long Range Performance

Magnum is available in 4kW or 12kW power output options and with either a four-foot or six-foot antenna array option. Magnum radars offer a maximum range up to 96nm for 12kW models – ideal for blue water vessels – and up to 72nm for 4kW models.

Choice of the Pros

Magnum radars are built upon the same radar technology Raymarine provides to the United States Coast Guard, so you can trust Magnum to deliver with professional features like beam sharpening technology for enhanced detail and bearing resolution. Combine Magnum with Axiom and take advantage of True Trails target history display and real-time heading updates.

Essential Coastal Cruising Tools

Magnum radars feature dual-range scanning enabling them to work simultaneously at a short range scale for collision avoidance and a long range scale for coastal navigation. Magnum also has automatic 24 or 48 RPM antenna rotation speed for faster updates when tracking contacts at close range.

Enhanced Target Awareness

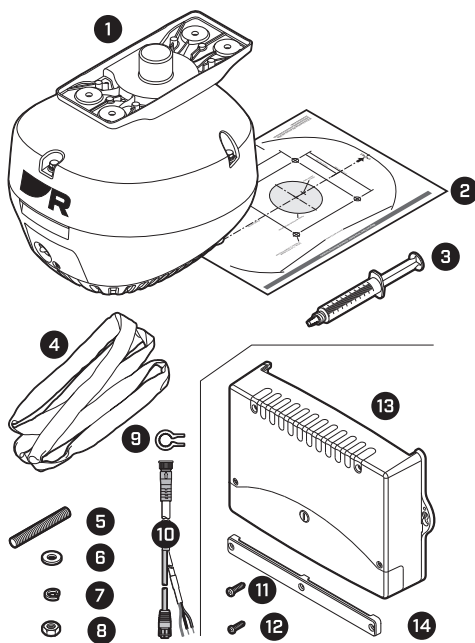
Magnum delivers better situational awareness with fully automatic MARPA target acquisition and tracking. Magnum also makes use of Raymarine's Evolution or AR200 9-axis heading sensor technology to provide real-time, accurate target plots.

MAGNUM RADAR

PART NO.	DESCRIPTION
Radar	
HD COLOR RADOME RADAR SCANNERS	
E92142	4kW 18" (456mm) HD Color Radome no Cable
T70168	4kW 18" (456mm) HD Color Radome + 10m Raynet Cable
E92143	4kW 24" (608mm) HD Color Radome no Cable
T70169	4kW 24" (608mm) HD Color Radome + 10m Raynet Cable
MAGNUM OPEN ARRAY ANTENNA PACKS	
T70408	4kW Magnum with 4ft Open Array and 15m RayNet Radar Cable
T70410	4kW Magnum with 6ft Open Array and 15m RayNet Radar Cable
T70412	12kW Magnum with 4ft Open Array and 15m RayNet Radar Cable
T70414	12kW Magnum with 6ft Open Array and 15m RayNet Radar Cable
MAGNUM OPEN ARRAY COMPONENTS	
E70484	Magnum 4kW Pedestal including VCM100
E70487	Magnum 12kW Pedestal including VCM100
E70490	Magnum 4ft Open Array
E70491	Magnum 6ft Open Array
E52091	Magnum VCM100 – Voltage Converter Module (spare)



MAGNUM PEDESTAL : IN THE BOX

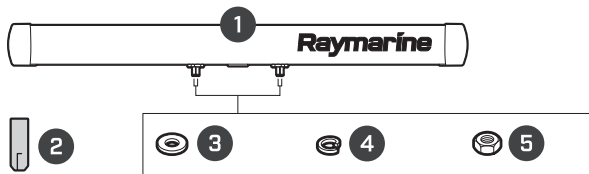


1. Pedestal
2. Mounting template
3. Denso paste
4. Lifting sling
5. Stud
6. Plain washer
7. Spring washer
8. Nut
9. Cable tightening tool
10. Radar-to-'RayNet & power' cable (15 m)
11. VCM100 mounting screw
12. VCM100 cable clamp mounting screw
13. VCM100 Voltage Converter Module
14. VCM100 cable clamp

MAGNUM RADAR

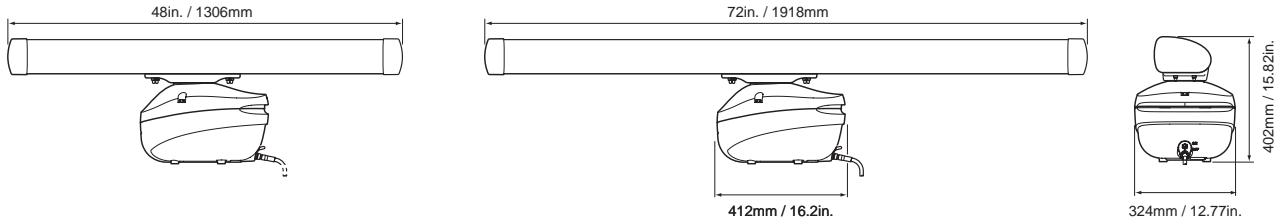


MAGNUM ARRAY : IN THE BOX



1. Antenna (4 ft or 6 ft — 4 ft illustrated)
2. Threaded alignment guide
3. Washer
4. Spring washer
5. Nut

← (mm / in.) →



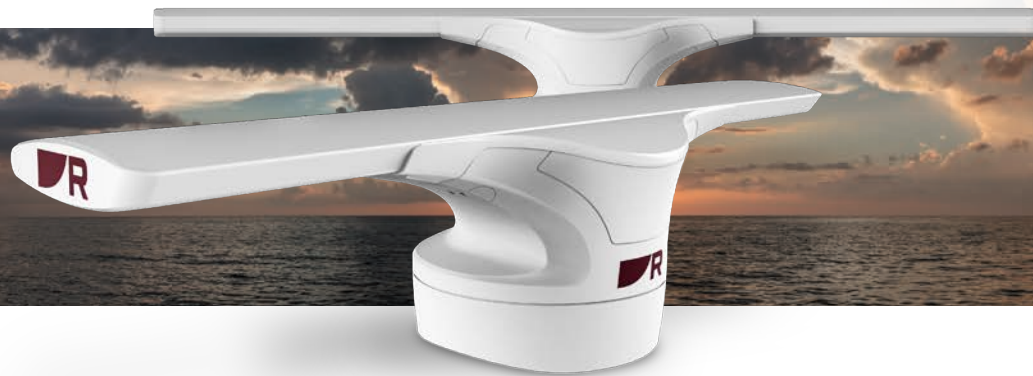
PART NO.	DESCRIPTION
RADAR SCANNER CABLES	
A80227	5m Digital Radar Cable with Raynet Connector
A80228	10m Digital Radar Cable with Raynet Connector
A80229	15m Digital Radar Cable with Raynet Connector
A80230	25m Digital Radar Cable with Raynet Connector
A55076D	5m Digital Radar Cable (RJ45 Connector)
A55077D	10m Digital Radar Cable (RJ45 Connector)
A55078D	15m Digital Radar Cable (RJ45 Connector)
A55079D	25m Digital Radar Cable (RJ45 Connector)
A92141D	2.5m Digital Radar Extension Cable
A55080D	5m Digital Radar Extension Cable
A55081D	10m Digital Radar Extension Cable
A80160	RayNet (F) to SeaTalkHS (F) adaptor - 400mm

Raymarine

MAGNUM RADAR



CYCLONE RADAR



CRUISING / WORKBOAT/
LAW ENFORCEMENT



FISHING

Cyclone Solid-State Open Array Radar

Cyclone radars are the ultimate expression of design, rugged performance, and unmatched situational awareness. Tackle the harshest conditions with the confidence of Cyclone's solid-state CHIRP pulse compression technology and aircraft wing-inspired design. Each model features innovative detection capabilities, including RangeFusion™ technology, and high-speed 60 rpm imaging.

Engineered for Extremes

The aircraft-wing-inspired design delivers a best-in-class 100-knot wind rating and meets the commercial grade IEC 62388 standard for ship borne radar.

Real-Time Target Tracking

Fast 60 RPM rotational speed delivers 360 degrees of awareness and accurate target tracks in real-time.

Safer Navigation with Doppler

Doppler target tracking simplifies the interpretation of dangerous and safe targets for added safety.

Professional grade ARPA

Cyclone automatically tracks up to 50 targets using the same advanced ARPA technology trusted by the United States Coast Guard.

RangeFusion™ Technology

Cyclone combines short and long pulses into a single high clarity radar image, simultaneously delivering exceptional short-range and long-range targets.

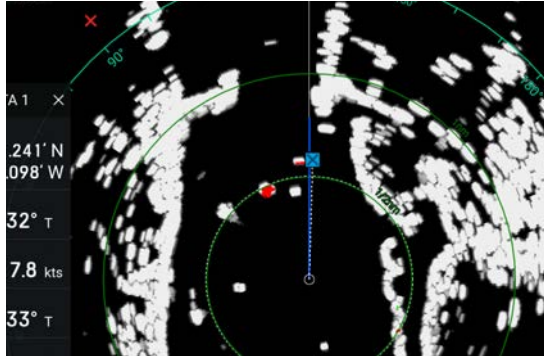
Three Array Size Options

4- and 6-foot options deliver superior target separation and range, while the 3-foot array provides open array performance in tight spaces.

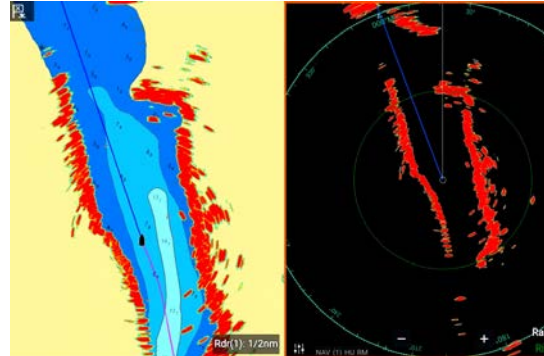
Two Power Output Options

The base model Cyclone operates at 55 Watts. Step up to improved weather and long-range performance with 110 Watt Cyclone Pro.

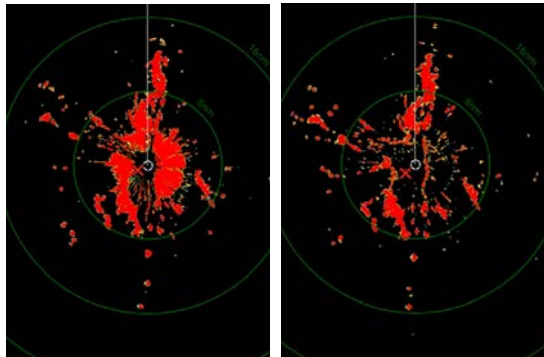
CYCLONE RADAR



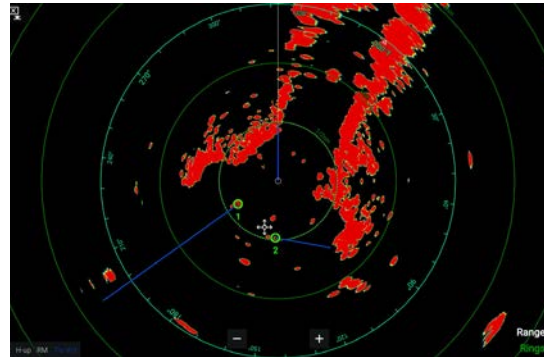
Doppler Target Tracking



Precise shore line detail and long range target separation



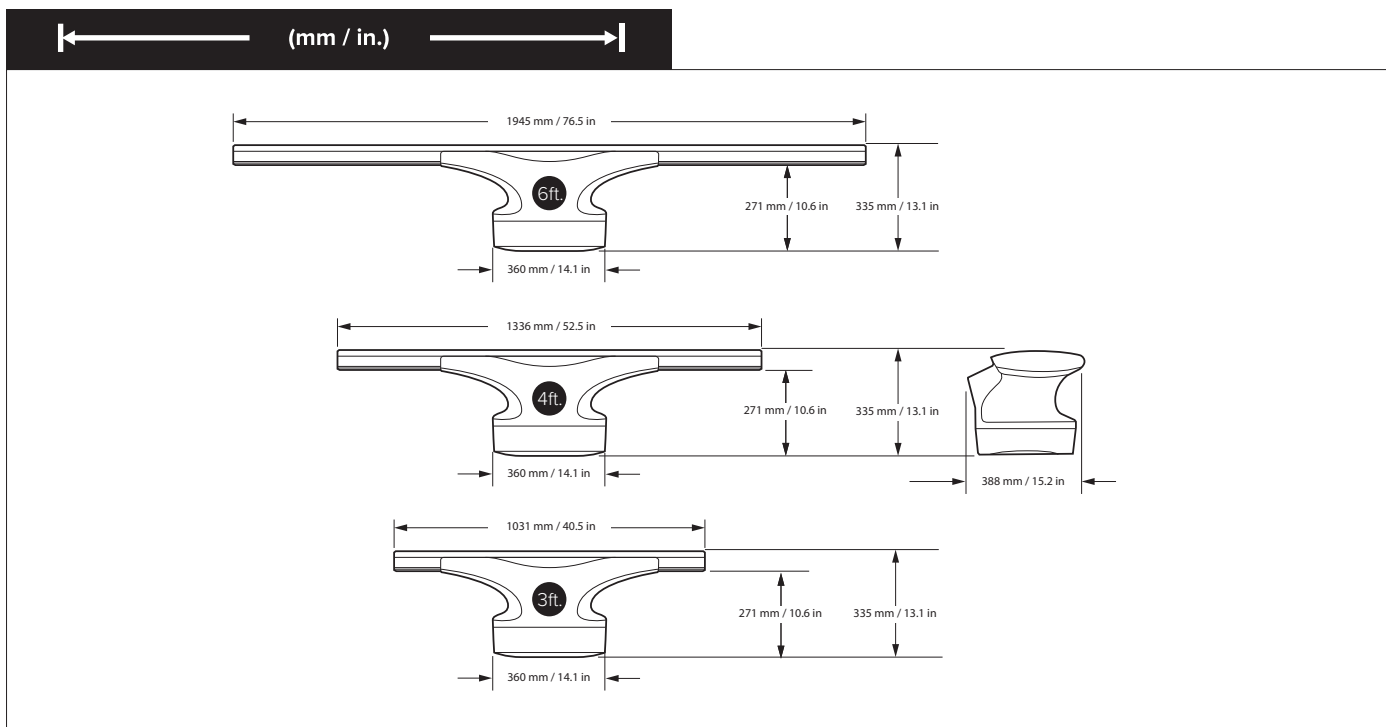
RangeFusion combines short and long pulses into single image



Professional grade ARPA target tracking

CYCLONE RADAR

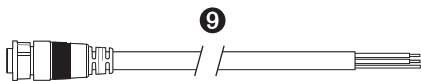
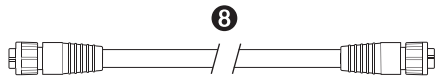
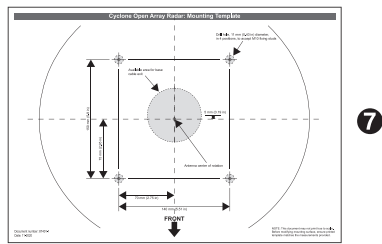
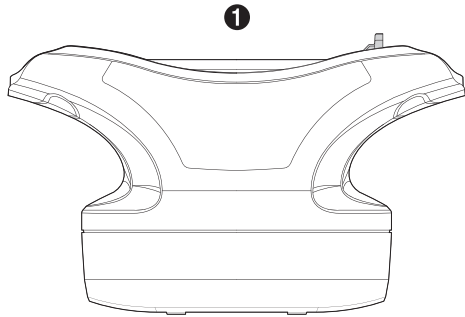
PART NO.	DESCRIPTION
Radar	
CYCLONE OPEN ARRAY ANTENNA PACKS	
T70491	Cyclone 55 Watts 3ft Open Array Radar with 15m Cables
T70492	Cyclone 55 Watts 4ft Open Array Radar with 15m Cables
T70493	Cyclone 55 Watts 6ft Open Array Radar with 15m Cables
T70494	Cyclone Pro 110 Watts 3ft Open Array Radar with 15m Cables
T70495	Cyclone Pro 110 Watts 4ft Open Array Radar with 15m Cables
T70496	Cyclone Pro 110 Watts 6ft Open Array Radar with 15m Cables
CYCLONE OPEN ARRAY COMPONENTS	
E70620	Cyclone Radar Pedestal 55 Watts
E70621	Cyclone Pro Radar Pedestal 110 Watts
E70628	Cyclone 3ft Open Array
E70629	Cyclone 4ft Open Array
E70630	Cyclone 6ft Open Array
E70648	Cyclone VCM100.02 (Voltage Control Module)



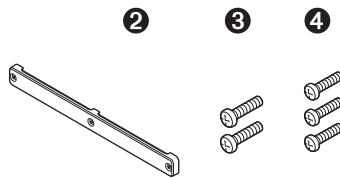
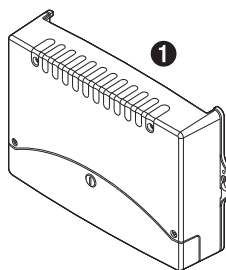
CYCLONE RADAR



CYCLONE: IN THE BOX

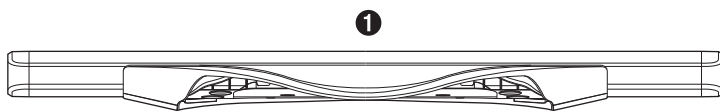


1. Pedestal
2. M10 Stud x4
3. M10 Nut x8
4. M10 Spring Washer x4
5. M10 Plain washer x4
6. Mounting gasket
7. Mounting template
8. Radar data cable
9. Power cable



1. VCM100
2. Cable clamp
3. VCM100 mounting screw x2
4. Cable clamp mounting screw x3

NOTE: The VCM100 is included with the Cyclone pedestal assembly



1. Antenna
2. Threaded alignment guide
3. Washer
4. Spring washer
5. Nut

CYCLONE RADAR

PART NO.	DESCRIPTION
CYCLONE OPEN ARRAY CABLES	
A80651	Cyclone Power Cable 5M
A80652	Cyclone Power Cable 10M
A80653	Cyclone Power Cable 15M
A80654	Cyclone Power Cable 25M
A80656	Cyclone Data Cable 5m with Raynet connector
A80657	Cyclone Data Cable 10m with Raynet Connector
A80658	Cyclone Data Cable 15m with Raynet Connector
A80659	Cyclone Data Cable 25m with Raynet Connector
RADAR ACCESSORIES	
RADOME MAST MOUNTS	
A80382	Mast Mount Bracket for Quantum Radome Scanner
M92722	Mast Mount Bracket for 18" (456mm) Radome Scanner
M92698	Mast Mount Bracket for 24" (608mm) Radome Scanner
POWER TOWERS	
X10012-SCA	Power Tower (composite) for 18" / 24" radome scanner (350mm height)
X10013-SCA	Power Tower (composite) for 18" / 24" radome scanner (150mm height)
ACCESSORIES	
A80731	RNS5 Gigabit Raynet Network Switch
A80732	RNS8 Gigabit Raynet Network Switch with 4 x POE ports
A80162	RayNet (M) to RayNet (M) cable - 100mm
A80160	RayNet (F) to SeaTalkHS (F) adaptor - 400mm
E55060	SeaTalkHS Crossover Coupler
4115028	Weather proof Ethernet coupler
E70096	Evolution EV1 Sensor Core
E70537	AR200 IP Camera Stabilisation Module, for Augmented Reality

CYCLONE RADAR



AUTOPILOTS



SAILING



CRUISING



FISHING

The culmination of Raymarine's autopilot expertise and advanced aerospace guidance technology, Evolution Autopilots, delivers a new level of precision steering control. Each Evolution Autopilot system consists of the following components: an Evolution 9-axis sensor core, an actuator control unit (ACU), a drive mechanism, and a control head.

EV-200 INBOARD

The EV200 system pack controls vessels with any Type 1 drive unit (Hydraulic, Linear, Sail or Power).



EV-1

ACU-200

p70Rs

p70s



Type 1 Linear Drive



Type 1 Rotary Drive



Type 1 Hydraulic Pump

EV-400 INBOARD

The EV400 pack controls vessels with any Type 1 to Type 3 mechanical or hydraulic drive units.



EV-1

ACU-400

p70Rs

p70s



Type 1/2 Linear Drive



Type 1/2 Rotary Drive



Type 1/2/3 Hydraulic Pump



EV-2

p70Rs

EV-200 DRIVE-BY-WIRE INBOARD

EV-2 has been designed for the latest drive-by-wire steering systems and connects directly to Raymarine's SeaTalk^{NG} bus.

Includes: Volvo; Teleflex Optimus; Xenta; Yamaha and more.



EV-1

ACU-300

p70Rs

EV-300 SOLENOID INBOARD

The EV300 system is for use with electric solenoids that control the vessels hydraulic steering system.

AUTOPILOTS

INBOARD AUTOPILOTS							
Drive Units	RAM Capacity cc / cu in (Hydraulic)	Vessel Displacement kg / lbs	Autopilot Control Unit				
			EV-100	EV150	EV-200	EV-300	EV-400
Type 0.5L Hydraulic Pump	50–125 / 3–7.6	NA	●	●			
Type 1 Hydraulic Pump	80–230 / 4.9–14	NA		●	●		
Type 1 Mechanical Rotary / Linear Drives		11,000 / 24,000			●		
Type 1 Universal Stern Drives		NA			●		
Type 2 Hydraulic Pump	230–350 / 14–21	NA					●
Type 3 Hydraulic Pump	350–500 / 21–30.5	NA					●
Type 2 Hydraulic Linear		22,000 / 48,000					●
Type 3 Hydraulic Linear		35,000 / 77,000					●
Type 2 Short Mechanical Linear Drives		15,000 / 33,000					●
Type 2 Long Mechanical Linear Drives		20,000 / 44,000					●
Type 2 Mechanical Rotary Drives		20,000 / 44,000					●
Solenoid Drive Units		NA				●	
ZF Saildrive Systems		NA					●



EV-100 WHEEL

The EV-100 wheel pilot comprises a fully enclosed wheel-drive for simple installation and superb autopilot performance.



EV-100 TILLER

The Raymarine EV-100 Tiller Pilots are perfect for large tiller steered yachts up to 6,000kg (13,200 lbs) displacement.



EV-100/EV-150 POWER PILOT

For single outboard powered boats with hydraulic steering, the EV-100 and EV-150 deliver perfect steering using Raymarine's exclusive Hydro-Balance™ technology.

COCKPIT AUTOPILOTS						
Cockpit Pilot Description	Maximum Displacement	Vessel Type	Pack Contents			
			EV	ACU	Control Head	Drive
EV-100 Wheel	7,500kg (16,000lbs)	Sail	EV-1	ACU-100	p70s	Wheel Drive
EV-100 Tiller	6,000kg (13,200lbs)	Sail	EV-1	ACU-100	p70s	Tiller Drive

Remember to always take the fully laden displacement weight of your vessel into account (often 20% above the designed displacement).

AUTOPILOTS

PART NO.	DESCRIPTION
Autopilot	
EVOLUTION SYSTEM PACKS WITH DRIVES, NO CONTROL HEAD	
T70248	Evolution Wheel Pilot, ACU-100, EV1 Sensor Core, EV1 Cabling kit & Wheel Drive. Note MFD or autopilot control head is required
T70249	Evolution Tiller Pilot, ACU-100, EV1 Sensor Core, EV1 Cabling kit & Tiller Drive. Note MFD or autopilot control head is required
T70250	Evolution Hydraulic Pilot, ACU-100, EV1 Sensor Core, EV1 Cabling kit & 0.5l hydraulic pump. Note MFD or autopilot control head is required
EVOLUTION SYSTEM PACKS WITH DRIVES	
T70154	Evolution Hydraulic Pilot with p70Rs control head, ACU-100, EV1 Sensor Core, EV1 Cabling kit & 0.5 litre 12v Hydraulic Pump
T70153	Evolution Tiller Pilot with p70s control head, ACU-100, EV1 Sensor Core, EV1 Cabling kit & Tiller Drive
T70152	Evolution Wheel Pilot with p70s control head, ACU-100, EV1 Sensor Core, EV1 Cabling kit & Wheel Drive
T70330	Evolution Hydraulic Pilot with p70Rs control head, ACU-150, EV1 Sensor Core, EV1 Cabling kit & 1.0 litre 12v Hydraulic Pump
T70157	Evolution Hydraulic Pilot with p70Rs control head, ACU-200, EV1 Sensor Core, EV1 Cabling kit & 1.0 litre 12vdc Hydraulic Pump
T70158	Evolution Autopilot with p70s control head, ACU-200, EV1 Sensor Core, EV1 Cabling kit & Type 1 Mechanical Linear drive
EVOLUTION SYSTEM PACKS	
T70281	Evolution Autopilot with p70s control head & ACU-100, EV1 Sensor Core, EV1 Cabling kit (suitable for 0.5l Hydraulic, Wheel & Tiller drives)
T70407	Evolution Autopilot with p70Rs control head & ACU-150, EV1 Sensor Core, EV1 Cabling kit (suitable for 1.0l 12v Hydraulic Pump)
T70155	Evolution Autopilot with p70s control head & ACU-200, EV1 Sensor Core, EV1 Cabling kit (suitable for Type 1 drives)
T70156	Evolution Autopilot with p70Rs control head & ACU-200, EV1 Sensor Core, EV1 Cabling kit (suitable for Type 1 drives)
T70160	Evolution Solenoid Autopilot with p70Rs control head & ACU-300, EV1 Sensor Core, EV1 Cabling kit (suitable for Solenoid drives)
T70164	Evolution DBW Autopilot with p70Rs control head, EV2 Sensor Core, EV2 Cabling kit (suitable for drive by wire steering systems)
T70214	Evolution DBW Autopilot with p70Rs control head, EV2 Sensor Core, EV2 Cabling kit (direct Volvo IPS /Aquamatic system connection)
T70580	Evolution DBW Autopilot with p70Rs control head, EV2 Sensor Core, EV2 Cabling kit & Volvo Gateway (direct Volvo IPS /Aquamatic system connection)
T70161	Evolution Autopilot with p70s control head & ACU-400, EV1 Sensor Core, EV1 Cabling kit (suitable for Type 2 & 3 drives)
T70162	Evolution Autopilot with p70Rs control head & ACU-400, EV1 Sensor Core, EV1 Cabling kit (suitable for Type 2 & 3 drives)
AUTOPILOT CONTROL UNIT	
E70328	p70s Autopilot Control Head (Sail)
E70329	p70Rs Autopilot Control Head (Power)
A80532	Autopilot Follow-On Tiller Steer Control Head (Standby - Power Steer - Standby)
A80602	Autopilot Follow-On Tiller Steer Control Head (Auto - Power Steer - Auto)
RCU-1 SMART WIRELESS REMOTE	
E70718	RCU-1 Smart Remote with Bluetooth Puck
A80835	RCU-1 Smart Remote
EVOLUTION COMPONENTS	
E70096	Evolution EV1 Sensor Core
E70097	Evolution EV2 Sensor Core
E70098	ACU-100 Actuator Control Unit
E70430	ACU-150 Actuator Control Unit
E70099	ACU-200 Actuator Control Unit
E70139	ACU-300 Actuator Control Unit
E70100	ACU-400 Actuator Control Unit

AUTOPILOTS

PART NO.	DESCRIPTION
EVOLUTION ACCESSORIES	
R70160	Evolution Cabling Kit
R70192	Evolution Cabling Kit EV-2
R70161	Evolution EV-unit seal pack
R70162	Evolution EV-unit wall bracket
A80437	RS150/MicroTalk Puck Clamshell Riser Mounting Kit
A80355	Black Bezel for i50/i60/i70/Pilots (eS / AXIOM style)
R70663	Black Suncover i50/i60/i70/p70/i70s/p70s (eS / AXIOM style)
R70664	Black Suncover for p70R/p70Rs (eS / AXIOM style)
A80356	Gunmetal Bezel for i50/i60/i70/Pilots (eS series style)
A80357	Grey Suncover i50/i60/i70/p70/i70s/p70s (eS series style)
A80358	Grey Suncover for p70R/p70Rs (eS series style)
R70368	Black Bezel for i50/i60/i70/Pilots (a, c, e series style)
R22168	Gunmetal Bezel for i50/i60/i70/Pilots (a, c, e series style)
R22169	i50 / i60 / i70 / p70 Suncover (a, c, e, series style)
Autopilot	
ENGINE CONTROL INTERFACE & ACCESSORIES	
E70227	ECI-100 Universal Engine and Control Interface
A80719	Volvo Penta IPS Pilot Gateway MK3
E70240	Volvo Engine EVC Link Cable (1M)
E70241	Volvo Engine Y-Loom cable
E70242	Yamaha Command-Link Cable 1M
E70305	Caterpillar Engine 12 Pin Link Cable (400mm)
E70260	NMEA 2000 Devicenet male to Devicenet female cable (2m)
ROTARY DRIVE UNITS	
M81135	Type 1/12v Rotary Drive
M81136	Type 2/12v Rotary Drive
M81137	Type 2/24v Rotary Drive
HYDRAULIC PUMPS	
E12139	Type 0.5/12v Hydraulic Pump
M81120	Type 1/12v Hydraulic Pump
M81121	Type 2 /12v Hydraulic Pump
M81122	Type 3/12v Hydraulic Pump
M81119	Type 1/24v Hydraulic Pump
M81123	Type 2/24v Hydraulic Pump
M81124	Type 3/24v Hydraulic Pump
HYDRAULIC LINEAR DRIVES	
E12207	Type 2/12v Hydraulic Linear Drive
E12208	Type 2/24v Hydraulic Linear Drive
M81202	Type 3/12v Hydraulic Linear Drive
M81203	Type 3/24v Hydraulic Linear Drive



NEW

RCU-1

Wireless Autopilot Remote Control & Gateway

The Raymarine RCU-1 Autopilot Remote puts complete steering control in the palm of your hand. Designed exclusively for Raymarine Evolution autopilots, the RCU-1 works with both sailing and powerboats and connects wirelessly to your vessel's NMEA 2000 / SeaTalk NG network via the WG-1 Bluetooth gateway. With intuitive modes like Point-and-Go and Solo Sailor safety features, the RCU-1 makes navigation smarter, safer and more convenient. Compact, rugged and easy to use, it's the ultimate companion for hands-on pilot control anywhere onboard.

RCU-1 KEY FEATURES

- Engage, adjust or disengage the autopilot from anywhere onboard using the dedicated keypad.
- View live data from connected instruments and Axiom chartplotters*.
- Bright color display for clear data visibility.
- Solo Sailor safety mode for Man Overboard (MOB) protection.
- Point-and-Go heading control for quick course changes.
- Simple power solution using standard AA batteries (supplied).
- Wireless range up to 30 m (98 ft.).
- Built-in alarm buzzer for Man Overboard (MOB) situations.
- Includes lanyard and fixed mounting cradle for convenience.



* The display of data from a Raymarine Axiom chartplotter requires the Axiom to be on the same NMEA 2000 / SeaTalk NG network as the WG-1 wireless gateway, and the Axiom to be running LightHouse 4 software, version 4.11 (or later).

TECHNICAL SPECIFICATIONS

PHYSICAL	RCU-1 REMOTE	WG-1 WIRELESS GATEWAY
Height:	150.87 mm (5.94 in.)	26.61 mm (1.05 in.)
Width:	59.83 mm (2.36 in.)	108.48 mm (4.27 in.)
Depth:	31.51 mm (1.24 in.)	N/A
Weight:	190 g (6.70 oz.) including supplied batteries	129 g (4.55 oz.)
POWER		
Nominal supply voltage:	3.0 V DC, provided by 2x AA batteries - see below	12 V dc (supplied by the SeaTalk NG network)
Operating voltage range:	N/A	9 V DC to 16 V DC (protected up to 32 V DC)
Power consumption:	N/A	30 mA maximum
LEN (Load Equivalency Number):	N/A	1
BATTERIES		
Size:	AA	N/A
Recommended types:	2x Alkaline / Lithium / Rechargeable	N/A
Battery life expectancy:	In use: 30 days* Storage: 365 days	N/A
ENVIRONMENTAL		
Operating temperature range:	-25 °C to +55 °C (-13 °F to 131 °F)	-25 °C to +55 °C (-13 °F to 131 °F)
Storage temperature range:	-30 °C to +70 °C (-22 °F to 158 °F)	-25 °C to +70 °C (-13 °F to 158 °F)
Relative humidity:	Up to 95% @ 40 °C (104 °F)	93%
Water ingress protection:	IP67	IPx6, IPx7
AHRS		
AHRS sensors:	3-axis Accelerometer / 3-axis Magnetometer / 3-axis Gyroscope	N/A
Magnetic compass accuracy:	Static: ±1° RMS Dynamic: ±5° RMS	N/A
Pitch, Roll, and Yaw accuracy:	±1°	N/A
Heading, Pitch, Roll, and Rate-of-Turn update rate:	10 Hz	N/A
BLUETOOTH		
Version:	5.1	
Connection range:	Up to 30 m (98.4 ft.), with clear line-of-sight	

* Quoted battery life expectancy figures are for average use using the supplied batteries. Actual battery life will differ, depending on usage, battery type, and ambient temperature.

AUTOPILOTS

PART NO.	DESCRIPTION
MECHANICAL LINEAR DRIVE UNITS	
M81130	Type 1/12v Short Shaft Linear Drive
M81131	Type 2/12v Short Shaft Linear Drive
M81132	Type 2/12v Long Shaft Linear Drive
M81133	Type 2/24v Short Shaft Linear Drive
M81134	Type 2/24v Long Shaft Linear Drive
ACCESSORIES	
D250	ST Steel Rudder Reference Ball Pin
M81166	D.P. Check Valve
M81167	Solenoid 12v
M81182	13 Tooth Sprocket
M81183	15 Tooth Sprocket
M81105	Rudder Angle Transducer
Autopilot	
TILLER PILOTS	
A12004	ST1000+ Tiller
A12005	ST2000+ Tiller
COCKPIT ACCESSORIES - TILLER	
A80737	EV100 Tiller Drive including Installation Kit
D001	Tiller Pin (2 per Pack)
D002	Mounting Socket (2 per Pack)
D003	Pushrod Extension 25mm (1')
D004	Pushrod Extension 51mm (2')
D005	Pushrod Extension 76mm (3')
D006	Pushrod Extension 102mm (4')
D007	Pushrod Extension 127mm (5')
D008	Pushrod Extension 153mm (6')
D009	Tiller Bracket 25mm (1')
D010	Tiller Bracket 51mm (2')
D011	Tiller Bracket 76mm (3')
D159	Tiller Bracket 102mm (4')
D160	Tiller Bracket 127mm (5')
D337	ST1/2000+ Tiller Pilot Plug
D338	ST1/2000+ Tiller Pilot Socket
D339	ST1/2000+ Tiller Pilot Plug and Socket
D026	Pedestal Assembly 38mm (1.5')
D027	Pedestal Assembly 51mm (2')
D028	Pedestal Assembly 64mm (2.5')
D029	Pedestal Assembly 76mm (3')
D030	Pedestal Assembly 89mm (3.5')
D031	Cantilever Socket Assembly
G004	Tiller Arm End Cap

AUTOPILOTS



ST1000/ST2000 TILLER

Removable Cockpit Autopilots for Tiller Steered Yachts. Tiller pilots have consistently been the world's most popular pilot.

Recommended Maximum Displacement Raymarine ST1000: 3,000kg (6,600lbs)
 Raymarine ST2000: 4,500kg (10,000lbs) Remember to always take the fully laden displacement weight of your vessel into account (often 20% above the designed displacement).

PART NO.	DESCRIPTION
COCKPIT ACCESSORIES - WHEEL	
E12093	Wheel Drive (inc. Fitting Kit)
E15017	Wheel Drive Flat Pedestal Kit
E15018	Wheel Drive GOIOT Installation Kit
A18083	Replacement belt for grey Wheel drive

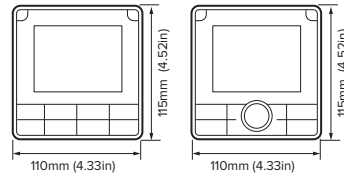
AUTOPILOTS



P70RS/P70S

1. Documentation
2. Panel seal gasket
3. 400 mm (15.7 in) SeaTalkng spur cable (A06038)
4. p70s or p70Rs Pilot controller
5. Suncover
6. Spare gunmetal bezel (A80354)
7. Mounting fixings x 4

← (mm / in.) →



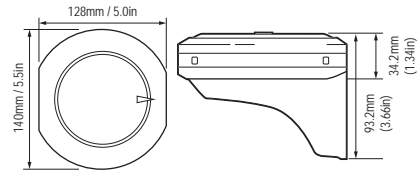
p70s / p70Rs



EV1/EV2

1. Mounting trim
2. EV-1E/V-2
3. Sealing ring
4. Mounting tray
5. Sealing ring
6. Wall mounting bracket
7. Screws for deck or bracket mounting
8. Screws for wall bracket
9. Document pack
10. 10 1m(3.3ft) SeaTalk^{ng} spur cable

← (mm / in.) →



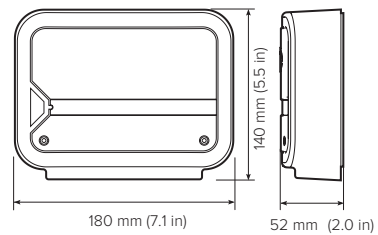
EV-1 / EV-2



ACU-100/ACU-150

1. ACU unit
2. Documentation pack
3. Screws (pan head type)
4. SeaTalk^{ng} spur to bare wires cable 1 m (3.3 ft)

← (mm / in.) →



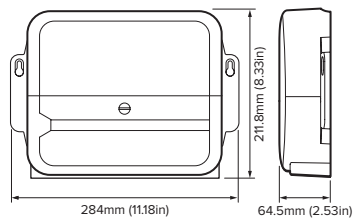
ACU-100/ACU-150



ACU-200 / 300 / 400

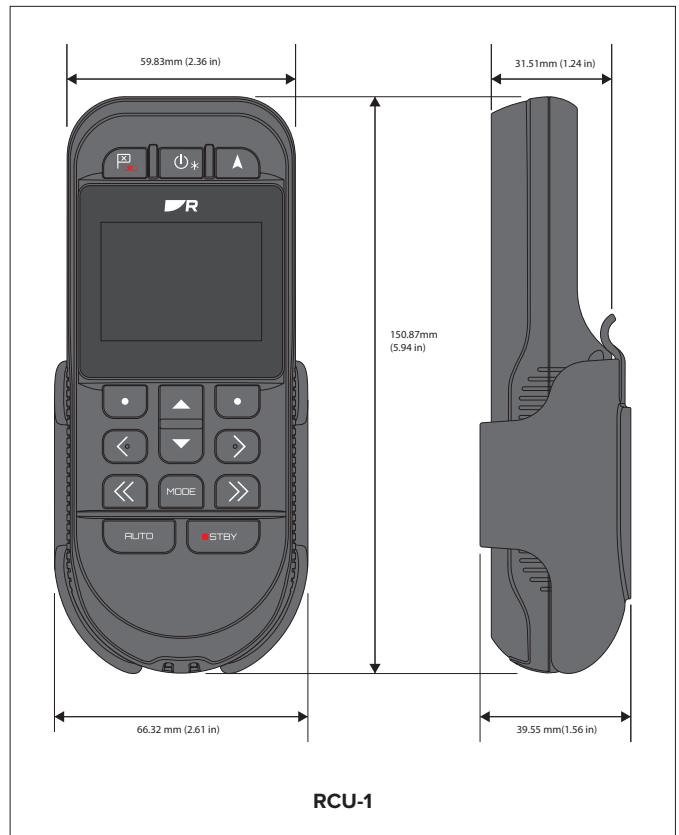
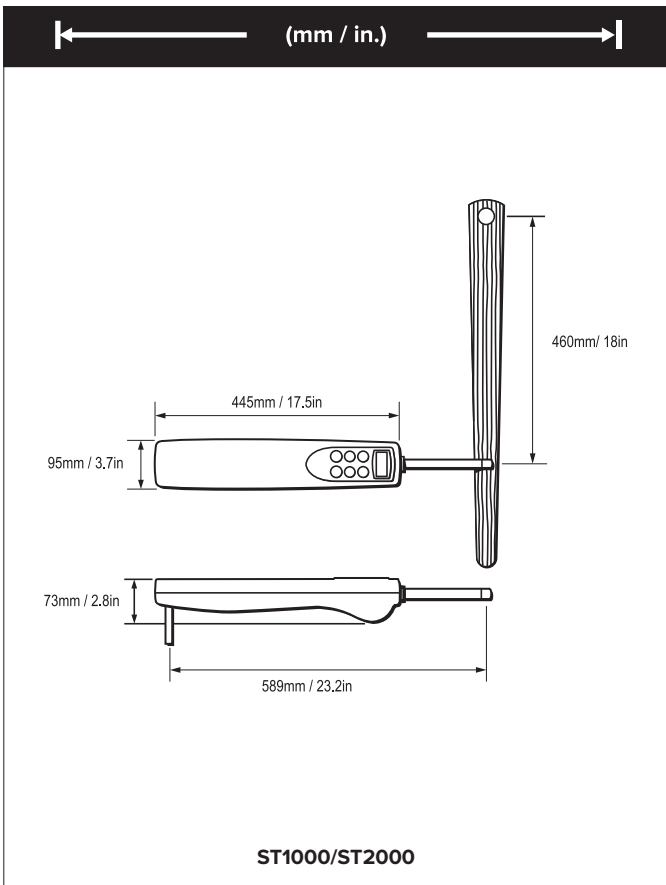
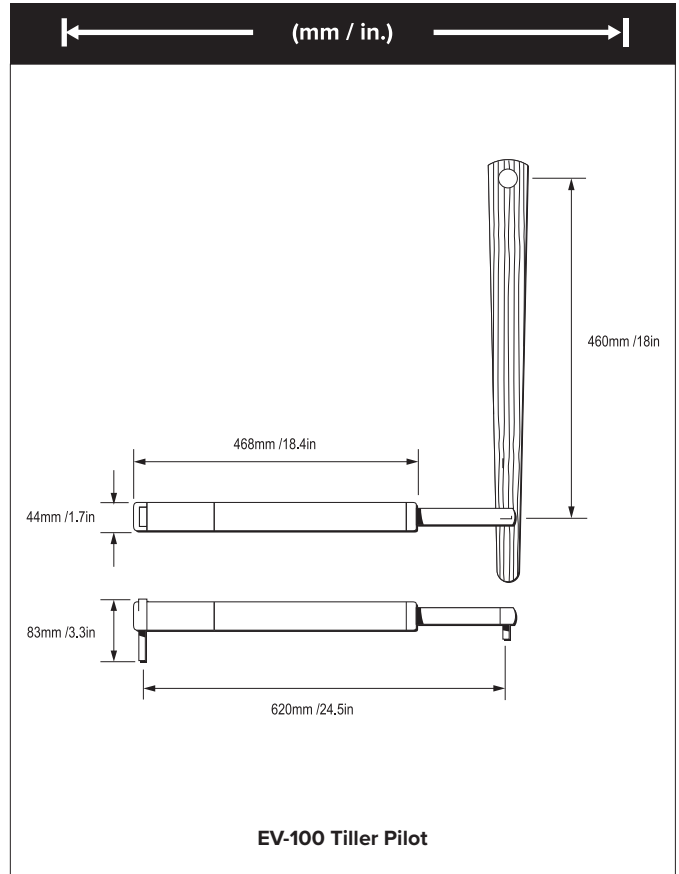
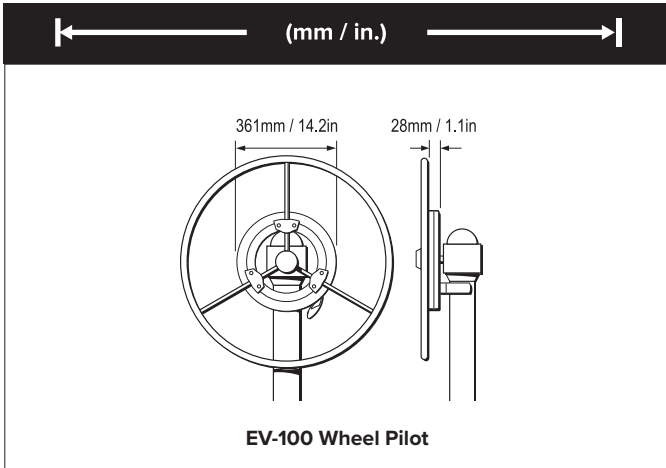
1. ACU unit
2. Rudder angle reference sensor / transducer. Not supplied with all system packs. Also available separately as M81105
3. Cable ties
4. Mounting screws
5. Document pack

← (mm / in.) →



ACU-200/300/400

AUTOPILOTS



ALPHA PERFORMANCE DISPLAYS

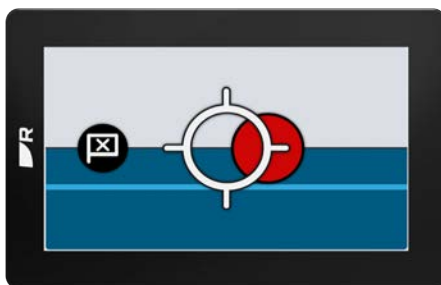


The Alpha series are high-visibility touchscreen displays with fully customisable marine instrument data and graphic displays to help you make smarter sailing decisions. Designed for helm or mast mounting, the Alpha Series is customised and controlled via its touchscreen and controlled remotely from a networked Axiom Chartplotter*.

ALPHA KEY FEATURES

- Customisable sailing, navigation, and engine instrument displays.
- SailPoint™ mode provides you with a visual reference of target wind angle, so you achieve your maximum VMG upwind or downwind.
- Full support for Raymarine Evolution autopilots. Autopilot controls support all major autopilot operating modes, including Steer to Heading, Navigation Mode and Steer to Wind Angle.

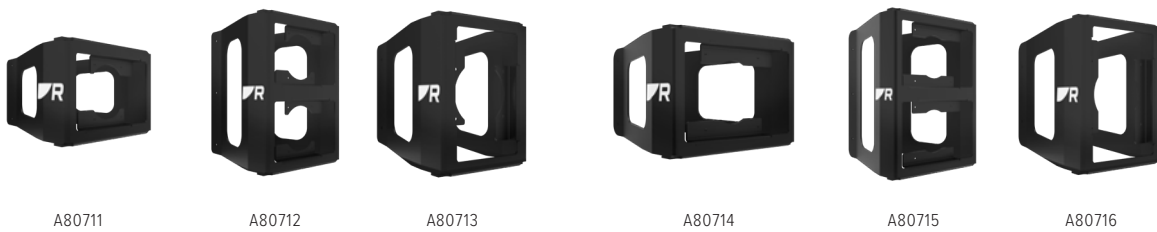
- Polarized sunglasses-friendly displays with extra wide viewing angles, viewable on the mast or remote location.
- Tested to the extreme and built with our exclusive HydroTough™ nano-coating that repels water and oils for reliable touchscreen control.
- Landscape or portrait mounting option.
- Single power and data cable** for fewer cables running through the deck and mast.
- Support for daisy-chaining up to 4 displays.
- Auto-dimming through an integrated ambient light sensor.
- Lockable touch screen with remote control from Axiom.
- Designed to network with Axiom chartplotters for all instrument data, transducer data, and performance sailing calculations.



* The Alpha Performance Display requires an Axiom Chartplotter (on Lighthouse 4.5 software or later) connected on the Raynet network.
 ** Power and data cables not included and must be purchased separately to match the installation configuration.

ALPHA PERFORMANCE DISPLAYS

PART NO.	DESCRIPTION
Instruments	
Alpha PERFORMANCE INSTRUMENTS	
E70649	Alpha 7" Performance Display
E70650	Alpha 9" Performance Display
Alpha PERFORMANCE INSTRUMENTS ACCESSORIES	
A80752	Alpha Performance Display - 1m Power & Raynet Cable
A80709	Alpha Performance Display - 3m Power & Raynet Cable
A80753	Alpha Performance Display - 5m Power & Raynet Cable
A80754	Alpha Performance Display - 10m Power & Raynet Cable
A80710	Alpha Performance Display - 0.3m Daisy Chain Cable
A80747	Alpha Performance Display - 1.0m Daisy Chain Cable
A80711	Alpha 7" Performance Display Single Mast Bracket - Landscape
A80712	Alpha 7" Performance Display Dual Mast Bracket - Landscape
A80713	Alpha 7" Performance Display Single Mast Bracket - Portrait
A80714	Alpha 9" Performance Display Single Mast Bracket - Landscape
A80715	Alpha 9" Performance Display Dual Mast Bracket - Landscape
A80716	Alpha 9" Performance Display Single Mast Bracket - Portrait



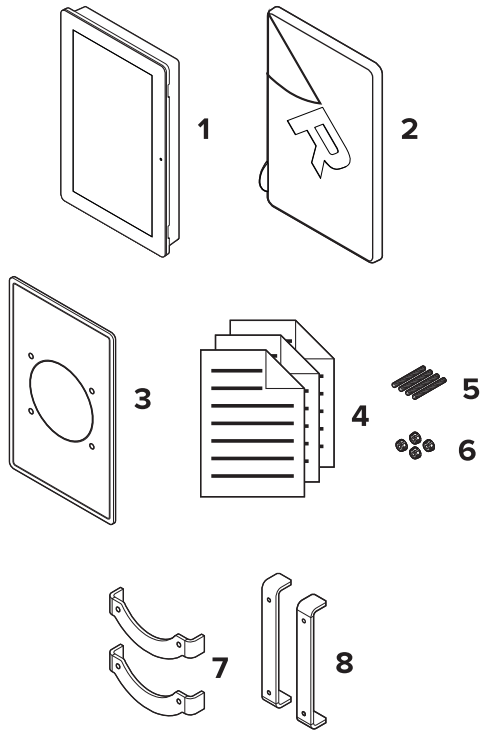
Landscape and portrait orientation mast brackets are available as accessories



ALPHA PERFORMANCE DISPLAYS

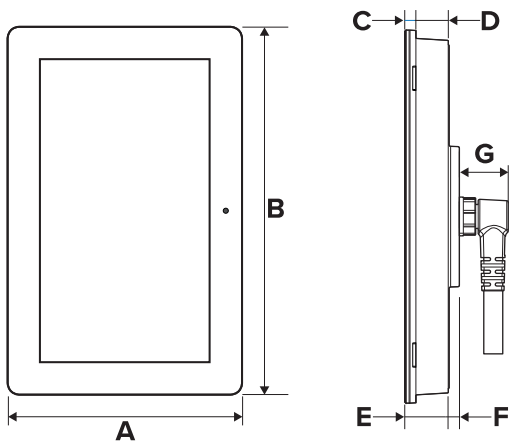


ALPHA: IN THE BOX



1. Alpha Series performance display.
2. Suncover.
3. Waterproof gasket.
4. Documentation pack.
5. 4x Threaded studs, M4 x 40 mm.
6. 4x Thumb nuts.
7. Supplied with Alpha 7 only
2x mounting brackets.
8. Supplied with Alpha 9 only
2x mounting brackets.

← (mm / in.) →



ALPHA 7	
A	118.6 mm (4.67 in)
B	188.4 mm (7.42 in)
C	7 mm (0.28 in)
D	18 mm (0.71 in)
E	25 mm (0.98 in)
F	7 mm (0.28 in)
G	30.9 mm (1.22 in)

ALPHA 9	
A	148.9 mm (5.86 in)
B	253.9 mm (9.29 in)
C	7 mm (0.28 in)
D	20.5 mm (0.81 in)
E	27 mm (1.06 in)
F	7 mm (0.28 in)
G	30.9 mm (1.22 in)

RSW WIND TRANSDUCER

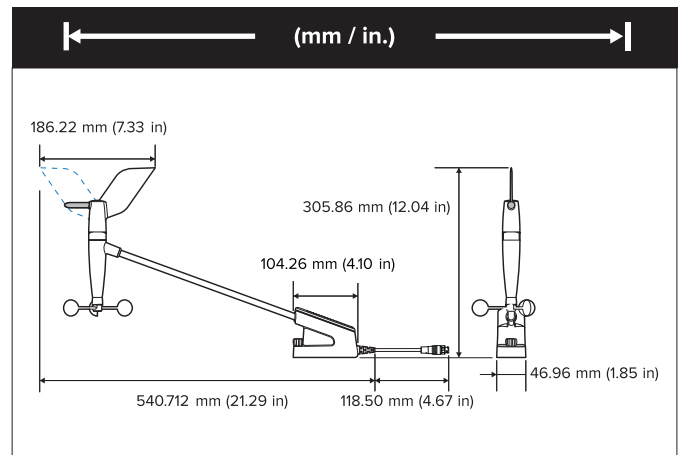


The Raymarine RSW wind transducer is a professional-level wind sensor designed for leisure sailors. An all-new wind sensor design, the RSW transducer is engineered for simplicity and accuracy using an integrated 3D motion sensor and Raymarine Smart Wind™ technology to give every skipper a new level of sailing intelligence. The newly designed RSW wind sensor is a self-calibrating sensor that delivers ultra-precise wind speed and direction measurements. Sailors can take advantage of high accuracy, true wind, speed, and polar calculations to make more intelligent race and performance sailing decisions when it matters most.

RSW TRANSDUCER KEY FEATURES

- Experience expert-level accuracy without complicated black box processors or cumbersome calibration tables.
- Integrated 3D motion sensor (AHRS technology) accounts for vessel pitch and roll, automatically delivering improved true wind accuracy.
- Smart Wind technology delivers superior wind measurement by compensating for mast twist and bend.
- Using the 3D motion sensor, the sensor compensates for the effects of airflow and upwash against the sails, delivering stable and trusted true wind direction.
- Rotating mast compatible without any extra sensors.
- Lightweight and durable carbon fibre arm for reliable performance

PART NO.	DESCRIPTION
RSW - Smart Wind TRANSDUCERS	
E70670	RSW - Smart Wind Transducer, Short Arm with 30m Cable
R70945	50m Cable for RSW Smart Wind Transducer



INSTRUMENTS



SAILING



CRUISING



FISHING

Raymarine instruments are world renowned for accuracy, innovative features and high-performance. From the space saving i40 series to the multifunction i70s series, there are Raymarine instruments available to fit every boater's requirements.



i40 Instrument Display

Big displays for smaller powerboats, yachts and RIBs, these compact yet powerful SeaTalk instruments offer full integration with Raymarine autopilots and navigation equipment and can be surface or trunnion-mounted.

i50 Instrument Display

The i50 range consists of 3 digital displays: speed and depth displays with extra-large digits and a multi-line tridata unit. These stylish, dedicated-function instruments are the perfect solution for smaller power boats, yachts and RIBs.

i60 Instrument Display

The i60 Wind Display provides analogue and digital data and calculates apparent (relative) and true wind speed/angle.



i70s Multifunction Instrument

The new i70s Multifunction Instrument is packed full of powerful features but remains exceptionally easy to use. User-selectable data source selection allows for easy integration on multi-sensor networks.

INSTRUMENTS

PART NO.	DESCRIPTION
Instruments	
INSTRUMENTS	
E70064	i40 Depth Display
E70066	i40 Bidata Display
E70058	i50 Speed Display (Digital)
E70059	i50 Depth Display (Digital)
E70060	i50 Tridata Display (Digital)
E70061	i60 Wind Display (Analogue)
E70327	i70s Multifunction Colour Display
INSTRUMENT PACKS	
E70142	i40 Depth Pack, with P7 Depth Through Hull Transducer
E70143	i40 Depth Pack, with P66 Depth Transom Mount Transducer
E70145	i40 Bidata Pack, with P371 Speed/Temp & P7 Depth Through Hull Transducers
T70583	i50 Speed Pack, with ST900/P120 Retractable Speed/Temp Through Hull Transducer
E70148	i50 Depth Pack, with P319 Depth Through Hull Transducer
T70582	i50 Tridata Pack, with ST900/P120 & P319 Speed/Temp/Depth Through Hull Transducers
T70584	i50 & i60 Wind, Speed, Depth System, with Short Arm Wind Transducer, ST900/P120 & P319 Speed/Temp/Depth Through Hull Transducers
T70585	i50 Tridata & i60 Wind Pack with Short Arm Wind Transducer, ST900/P120 & P319 Speed/Temp/Depth Through Hull Transducers
E70150	i60 Wind Pack, with Short Arm Vane Transducer
T70586	i70s System - Wind & DST Twin XDCR Pack with Short Arm Wind Transducer, ITC-5, ST900/P120 & D800 Speed/Temp/Depth Through Hull Transducers
T70216	i70s System Pack (i70s Colour instrument & Wind, DST txducers, ITC-5, 3M backbone, 5 Way Connector, STng power cable & 2 backbone terminators)
T70607	i70s Smart Wind System Pack incl. i70s, RSW Smart Wind, DST810, 5-way, 3m backbone, power, T-piece & 2 terminators
ITC-5 INSTRUMENT TRANSDUCER CONVERTER & WIRELESS PUCK	
E70010	ITC-5 Instrument Transducer Converter
E70361	Micro-Talk Puck - Micronet to SeataKNG Gateway
A80370	Pole Mount for RS150 GPS Antenna / Micro-Talk Puck
T70344	Wireless Wind Kit including Heading Sensor for STNG (E70361, T120, E70096, T113-868, A06049, A06036, A06064, A06031, A06028)
Instruments	
STNG SMART TRANSDUCERS	
A22112	DT800 12° Through Hull Depth / Temperature Smart Transducer
A22165	DT800 0° Through Hull Depth / Temperature Smart Transducer
E70667	DST810 0° Through Hull Depth / Speed / Temperature 5Hz Smart Transducer with Trim & Heel and Bluetooth Wireless connectivity (new design paddle wheel)
A80373	P79S In Hull Depth Smart Transducer (NMEA 2000 DeviceNet connection)
T70278	P79S In Hull Depth Smart Transducer (NMEA 2000 with STNG adapter cable)
ACCESSORIES	
R70112	i40 Sun Cover
A80353	Black Bezel for i70s
R70663	Black Suncover i50/i60/i70/p70/i70s/p70s (eS / AXIOM style)
A80354	Gunmetal Bezel for i70s
A80357	Grey Suncover i50/i60/i70/p70/i70s/p70s (eS series style)
A80355	Black Bezel for i50/60/70/Pilots (eS / AXIOM style)
R70368	Black Bezel for i50/60/70/Pilots (a, c, e series style)

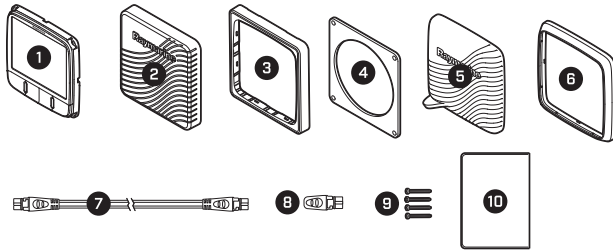
INSTRUMENTS

PART NO.	DESCRIPTION
R22168	Gunmetal Bezel for i50/i60/i70/Pilots (a, c, e series style)
R22169	i50 / i60 / i70 / p70 Suncover (a, c, e, series style)
DEPTH – TRANSDUCERS	
E26009	P7 D Shorty™ Low Profile Through Hull Transducer
M78713-PZ	P319 Low Profile Through Hull Plastic Depth Transducer 14m Cable
E26030	P17 Depth Through Hull Retractable Transducer
E26027-PZ	P66 Depth Transom Mount Transducer
E26001-PZ	P79 Depth In Hull Transducer
E26019-PZ	B45 Depth Through Hull Transducer Stem - includes Fairing Block
M78717	B17 D Through Hull Retractable Transducer
DEPTH/SPEED/TEMPERATURE – TRANSDUCERS	
E26006-PZ	i40/50 P65 Depth, Speed, Temperature Transom Mount Transducer
A22154	DST800 Analog out 200kHz
E26028-PZ	i40/50 P66 Depth, Speed, Temperature Transom Mount Transducer
A26043	B744V Bronze Depth, Speed, Temperature Through Hull Transducer (No fairing block)
E66023	B744V/B744VL Hi-Speed Fairing Block
A26044	B744VL Long Stem Bronze Depth, Speed, Temperature Through Hull Transducer (No fairing block)
SPEED/TEMPERATURE – TRANSDUCERS	
E26005	ST69 Speed/Temperature Transom Mount Transducer
E26008	P371 Speed/Temperature Shorty™ Through Hull Transducer
E70673	ST900/P120 Speed/Temperature Low Profile Retractable Through Hull Analog Transducer - 13.7m Cable
E70674	ST900/P120 Speed/Temperature Low Profile Retractable Through Hull Analog Transducer - 20.0m Cable
E70686	ST900/B120 Speed/Temperature Low Profile Retractable Through Hull Analog Transducer - 13.7m Cable
E70687	ST950/P17 Speed/Temperature Long-Body Low Profile Retractable Through Hull Analog Transducer - 10m Cable
R70961	ST900 Paddle Wheel Kit
WIND – TRANSDUCERS	
E70670	RSW - Smart Wind Transducer, Short Arm with 30m Cable
E22078	Short Arm Vane Transducer supplied with 30m (97.5') Cable
E22079	Long Arm Vane Transducer supplied with 50m (162.5') Cable
A28162	30m Mast Cable & Connector
A28163	50m Mast Cable & Connector
R28170	Short Arm Wind Vane Transducer
R28171	Long Arm Wind Vane Transducer
T70338	Wireless Wind Kit for STNG (E70361, T120 & T113)
Z195	RolaVecta Transducer supplied with 20m (65') Cable
RUDDER REFERENCE - TRANSDUCERS	
M81105	Rudder Angle Transducer

INSTRUMENTS



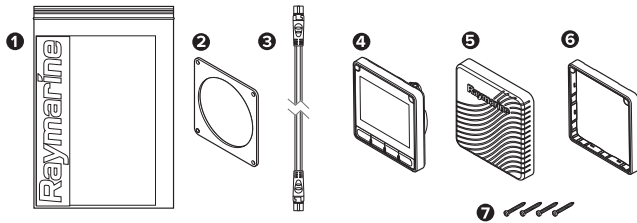
i50 / i60 : IN THE BOX



1. i50 / i60 Instrument display
2. Suncover (to match i70s, p70s, p70Rs, eS Series)
3. Front bezel (to match i70s, p70s, p70Rs, eS Series)
4. Gasket
5. Suncover (to match a, c, e Series)
6. Front bezel (to match a, c, e Series)
7. 400 mm (15.7 in) SeaTalkng® spur cable
8. Termination
9. Screws
10. Documentation



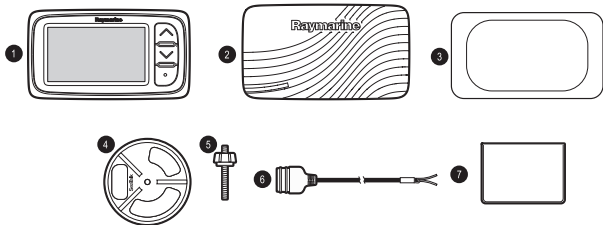
i70s : IN THE BOX



1. Documentation
2. Panel Seal Gasket
3. 400mm (15.7in) SeaTalkng® spurcable (A06038)
4. i70s Instrument Display (supplied with keymat and black bezel (A80353) fitted)
5. Suncover (A80357)
6. Spare gunmetal bezel (A80354)
7. Mounting screws x4

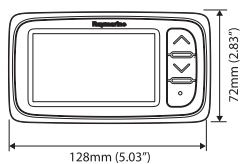


i40 : IN THE BOX

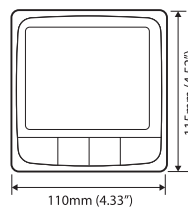


1. i40 Instrument
2. i40 Sun cover
3. Mounting gasket
4. Clamping bracket
5. Fixing stud and thumb nut
6. SeaTalk power cable 1m (3ft)
7. Document pack

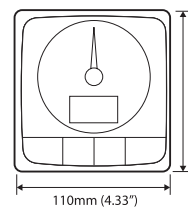
← (mm / in.) →



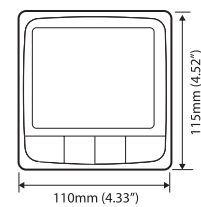
i40



i50 / i60



i70s



WIRELESS INSTRUMENTS



SAILING



CRUISING

You need instant access to accurate data and displays that are absolutely reliable. Raymarine Wireless instruments display all the data you'll need and there are no wires running through your hull or down your mast.



Race Compass

Raymarine's Micro Compass and Racemaster compass systems give you the winning advantage with accurate, reliable readouts. The self-contained Micro Compass' tactical scale give you clear stable figures for port and starboard tacks. Racemaster is a two tier display that displays heading, wind shift indicator, line bias, and race timer. Both compasses are 100% solar powered, install in seconds, and can be easily removed for storage.

WIRELESS INSTRUMENTS

PART NO.	DESCRIPTION
Wireless Instruments	
MICRO COMPASS AND ACCESSORIES	
T061	Micro Compass System - Includes Micro Compass and Strap Bracket
T060	Micro Compass
T004	Deck Bracket
T005	Strap Bracket
T006	Long Slug Bracket
T008	Cat Pole Bracket
MICRONET WIRELESS RACING PRODUCTS	
T070-868	Micronet Race Master
T074-868	Micronet Race Master System and Triducer
T075-868	Micronet Race Master System, Triducer and Solar Panel
T222	Wireless Vertical Wind Transmitter
T221	Mast Rotation Transmitter
MICRONET COMPONENTS AND ACCESSORIES	
E70361	Micro-Talk Puck - Micronet to SeataKNG Gateway
A80370	Pole Mount for RS150 GPS Antenna / Micro-Talk Puck
T70338	Wireless Wind Kit for STNG (E70361, T120 & T113)
T137	Slug Mast Bracket 1 up (Digital, Dual, Analogue Range)
T231	Mast Bracket 1 up (for Maxi, Dual Maxi or Race Master)
T232	Mast Bracket Maxi 2 up (for Maxi, Dual Maxi or Race Master)
T234	Mast Bracket Maxi 3 up (for Maxi, Dual Maxi or Race Master)
T909	Compass Transducer
T120	Wind Transmitter
T121	Hull Transmitter
T122	Wireless Interface
T138	External Solar Panel (9V) - 108mm x 108mm
T910	Triducer (Speed, Depth and Temperature in One, Retractable - 50m range) (Airmar PN: 31-482-1-42)
T911	Speed Transducer (Speed and Temperature, Retractable with Flap Valve) (Replaced by E70687) (Airmar PN: 31-590-11-41)
T912	Depth Transducer (Depth, Retractable - 80m Range) (Airmar PN: 31-480-2-01)
T942	Bronze Fitting for Long Body Transducer (Airmar PN: 33-100-04)
T943	Flush Fitting for Long Body Transducer (Airmar PN: 33-092-03)
T050	Large Deck Bracket
T905	Depth transducer (50mm through/in hull)
T908	GPS Antenna with NMEA 0183 output
TA900	Paddle Wheel Replacement Kit for T911 (Airmar PN: 33-398-04)
TA106	Instrument Cover for Digital, Dual Digital or Analogue Displays

FLIR CAMERAS



SAILING



CRUISING



FISHING

FLIR maritime thermal imaging cameras turn night into day, keeping you safe and secure and letting you boat with confidence. From small boats to superyachts, FLIR offers leading-edge thermal cameras that are rugged, reliable and straightforward to use.



FLIR MTMS

Keep a watchful eye on such critical equipment as engines, exhaust manifolds, and shaft bearings to spot problems before they leave you stranded on the water.



FLIR M232

Our smallest and most affordable pan and tilt marine thermal night vision camera. Using our latest generation Boson™ thermal core, the M232 lets boaters see at night in 320 x 240 thermal resolution and also features 2x digital zoom.



FLIR M300 SERIES

The M300 Series sets a new standard for safe marine navigation and situational awareness. Applying enhanced stabilization technology to high-performance visible, thermal, or multispectral imaging, M300 Series marine cameras deliver unwavering vision in high-stakes environments.



OCEAN SCOUT PRO

The FLIR Ocean Scout Pro is a marine thermal night vision monocular, for enhanced situational awareness. Navigate confidently, identify buoys, and find people in the water. Stream video and download images to your mobile phone. Up to six hours of battery life.

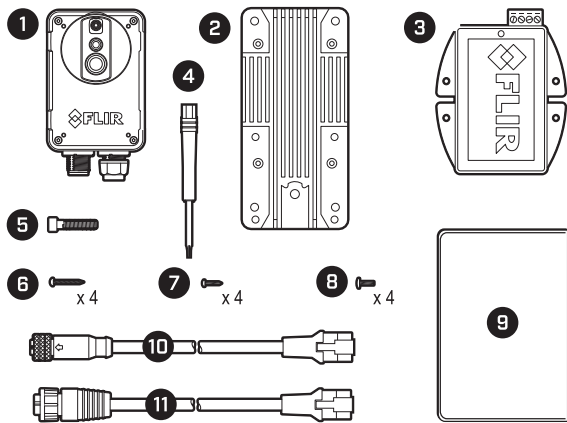
FLIR CAMERAS

PART NO.	DESCRIPTION
Thermal Cameras	
MTMS ENGINE ROOM CAMERA	
E70321	Marine Thermal Monitoring System (MTMS), Thermal and Visible Imaging Camera for temperature measurement
261-2319-00	MTMS RAM Mount Kit
OCEAN SCOUT HANDHELD THERMAL CAMERAS	
15002-0202	Ocean Scout Pro - 30Hz, inc. tactical pouch USB-C charge cable , wrist lanyard, two rubber eyecups and quick start guide
M SERIES PAN & TILT THERMAL CAMERAS	
E70354	M232 Thermal IP Camera (320 x 240, 9Hz) with Pan, Tilt and electronic zoom
M SERIES STABILISED PAN & TILT VISIBLE / THERMAL CAMERAS	
E70605	M300C Stabilized Pan & Tilt Visible IP Camera with 30X Optical Zoom
E70528	M332 Stabilised Pan & Tilt Thermal IP Camera (320 x 256, 24° FoV) with electronic zoom
E70526	M364 Stabilised Pan & Tilt Thermal IP Camera (640 x 512, 24° FoV) with electronic zoom
E70519	M364C Stabilised Pan & Tilt Thermal IP Camera (640 x 512, 24° FoV) with electronic zoom and Colour Low Light Camera with 30X electronic zoom
E70521	M364C LR Stabilised Pan & Tilt Thermal Long Range IP Camera (640 x 512, 18° FoV) with electronic zoom and Colour Low Light Camera with 30X electronic zoom
ACCESSORIES	
T70477	JCU1 PoE Injector Kit (includes JCU1, weather cover, mounting hardware, PoE Injector and 25ft Ethernet RJ-45 to RJ-45 Cable)
T70478	JCU2 PoE Injector Kit (includes JCU2, mounting hardware, PoE Injector and 25ft Ethernet RJ-45 to RJ-45 Cable)
E70695	JCU-4 with 3M Power Cable, 3M RA RayNet to RJ45 Cable, Mounting Kit and Weather Cover
A80510	M200/M300 Joystick Control Unit (JCU3)
E70537	AR200 IP Camera Stabilisation Module, for Augmented Reality
A80667	M300 0.5 Meter Cable kit Power/Serial/Composite Video Cable, Raynet to Raynet Ethernet cable, Coax HD-SDI Cable
A80696	M300 3m Cable Kit
A80664	M300 10m Cable Kit
A80437	RS150/MicroTalk Puck Clamshell Riser Mounting Kit
A80370	Pole Mount for RS150 GPS Antenna / Micro-Talk Puck
A80511	M232 Right Angle Single Keyway Power Cable, 10m
A80512	Raynet Right Angle (F) to Raynet Straight (F) cable - 10m
A80513	Adaptor, Raynet male to RJ45 male Cable, 100mm
A80509	Top Down Riser, M100, M200
A80643	M300 Gasket Set for the Top-Down Riser
A80641	M300 Top-Down Riser Kit including Gaskets, Nuts & Bolts
A80508	IP to Analog Video Decoder
4230175	8-Port Industrial Power Over Ethernet Unmanaged Switch
CAMERA MOUNTS	
A80571	M232 Thermal Camera Mast Mount Bracket

THERMAL CAMERAS



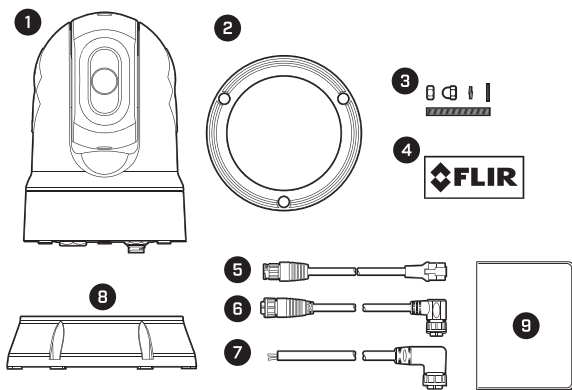
MTMS: IN THE BOX



1. MTMS thermal camera
2. Cooling bracket
3. PoE injector (Refer to the 'Potential ignition source' warning)
4. T6 Torx driver
5. 1 x 1/4" – 20 x 30 mm Hex bolt (for fitting cooling bracket to the optional mounting bracket: R70375.)
6. 4x No.6 x 25 mm screws (for surface mounting cooling bracket / camera assembly)
7. 4x PT 22x8 T6 torx screws (to fit cooling bracket to camera.)
8. 4x 10–32UNF 1/2" hex bolts (for fitting cooling bracket to the optional RAM® mount 261–2288–00)
9. Documentation
10. 5 m (16.4 ft) Ethernet cable (M12 X-coded to RJ45) (for connecting camera to PoE injector)
11. 3 m (9.84 ft) RayNet to RJ45 adaptor cable (for connecting PoE injector to Raymarine MFD or network switch)



M2XX SERIES: IN THE BOX

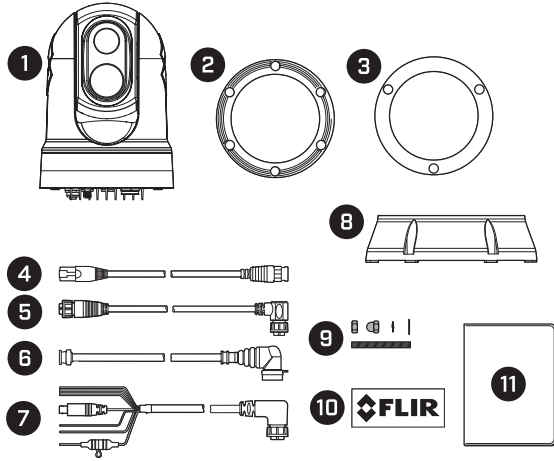


1. Thermal camera
2. Thermal camera base-seal
3. 3 x thermal camera fasteners: nuts, dome nuts, spring washers, flat washers, and threaded studs
4. 2 x Self-adhesive decals (for ball-down mounting only)
5. RayNet-to-RJ45 adapter cable (100 mm)
6. Right-angled RayNet-to-RayNet cable (10 m)
7. Right-angled 3-pin power cable (10 m)
8. Top-down riser kit (includes riser, riser base seal, and riser mounting template)
9. Documentation pack

THERMAL CAMERAS

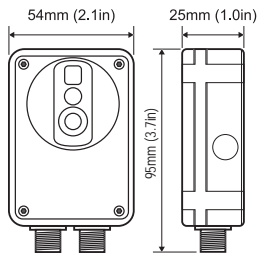


M3XX SERIES: IN THE BOX

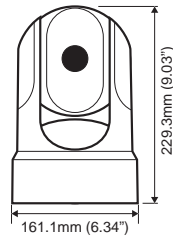


1. M300 Camera
2. Camera base-seal
3. Camera gasket
4. RayNet-to-RJ45 adaptor cable 120 mm (4.72 in.)
5. Right-angled RayNet-to-RayNet cable 3 m (9.8 ft.)
6. Right-angled HD-SDI video cable (with BNC connectors) 3 m (9.8 ft.)
7. Right-angled power/NMEA 0183/video cable 3 m (9.8 ft.)
8. Mounting riser
9. 3x camera fixings: nuts, dome nuts, spring and flat washers, threaded studs
10. 2 x self-adhesive decals (for ball-down mounting only)
11. Documentation pack

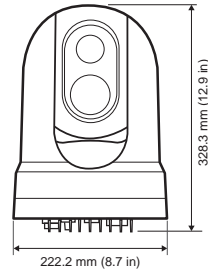
← (mm / in.) →



MTMS



M232



M3XX

VIDEO CAMERAS



SAILING



CRUISING



FISHING

The CAM300 mini day/night IP camera is a wide field-of-view visible camera designed for Raymarine Axiom chartplotters. Equipped with an HD video sensor, the CAM300 transforms Axiom into a powerful onboard video observation system. Use the CAM300 to monitor blind spots, check in on the crew, or watch and record all fishing action from the helm. Combine the CAM300 with the Raymarine AR200 sensor and make smarter navigation decisions using ClearCruise augmented reality to overlay AIS targets, waypoints and chart objects on the Axiom video display.

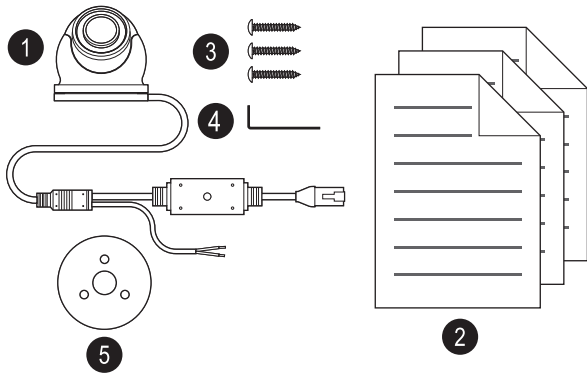
- View up to 4 CAM300 video streams simultaneously on a single Axiom display
- 3MP CMOS sensor delivers up to 1080p resolution
- Built-in infrared emitters for excellent near-field low light visibility up to 33 ft (10 meters)
- Image flip and invert functions for ball-up/ball-down installation and reverse video
- ONVIF Profile S compatible for compatibility with security system applications
- Easy to install with either direct 12-volt connection or single cable Power over Ethernet (POE)
- Rugged IP66 enclosure for below and above deck marine installations

PART NO.	DESCRIPTION
Day & Night Video Cameras	
DAY AND NIGHT IP VIDEO CAMERA	
E70346	CAM210 Bullet CCTV Day and Night Video Camera (IP Connected)
E70347	CAM220 Eyeball CCTV Day and Night Video Camera (IP Connected)
E70660	CAM300 Eyeball CCTV Day and Night Video Camera (IP Connected)
4115028	Weather proof Ethernet coupler
A62360	RayNet (F) to RJ45 (M) cable - 1m
A80151	RayNet (F) to RJ45 (M) cable - 3m
A80159	RayNet (F) to RJ45 (M) cable - 10m
A80811	PoE Injector 12-24V DC 5Gb

VIDEO CAMERAS

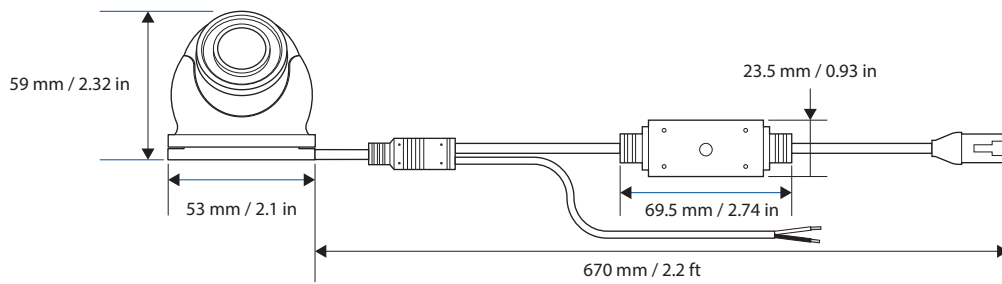


CAM300: IN THE BOX



- 1. CAM300 camera
- 2. Documentation
- 3. Mounting screws x3
- 4. Hex wrench (Allen key)
- 5. Waterproof gasket

← (mm / in.) →



CLEARCRUISE AR



SAILING

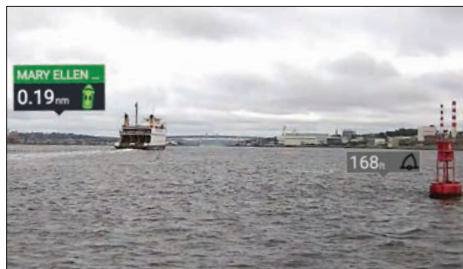


CRUISING



FISHING

ClearCruise™ AR is bringing enhanced on water perception to Raymarine's family of Axiom® chartplotter displays. With ClearCruise AR, Raymarine Axiom users can make smarter decisions with navigation objects overlaid directly on Axiom's high definition video display.



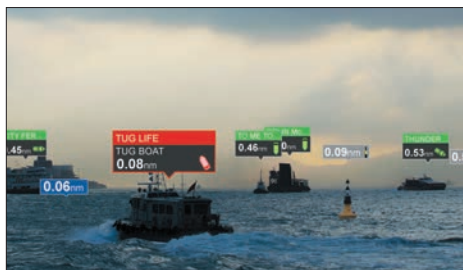
Make Smarter Decisions

See critical navigation objects overlaid on HD video. Surrounding AIS-equipped vessel traffic and charted navigation aids are clearly identified with rich graphics on a live, dynamic video image.



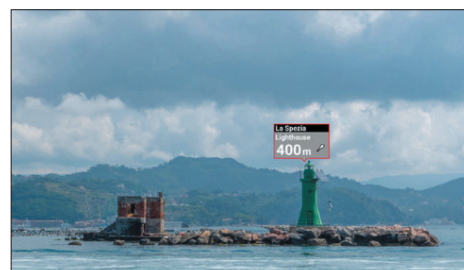
Recognise and Respond to Nearby Marine Traffic

Colour-coded labels provide instant identification, status, and risk-assessment Live AIS Targets. ClearCruise AR provides positive identification of AIS equipped vessels on the horizon.



Understand Complex Navigational Situations

Major chart objects are identified for instant, heads-up recognition. ClearCruise AR technology shows you visually where your saved waypoints and marks are located.

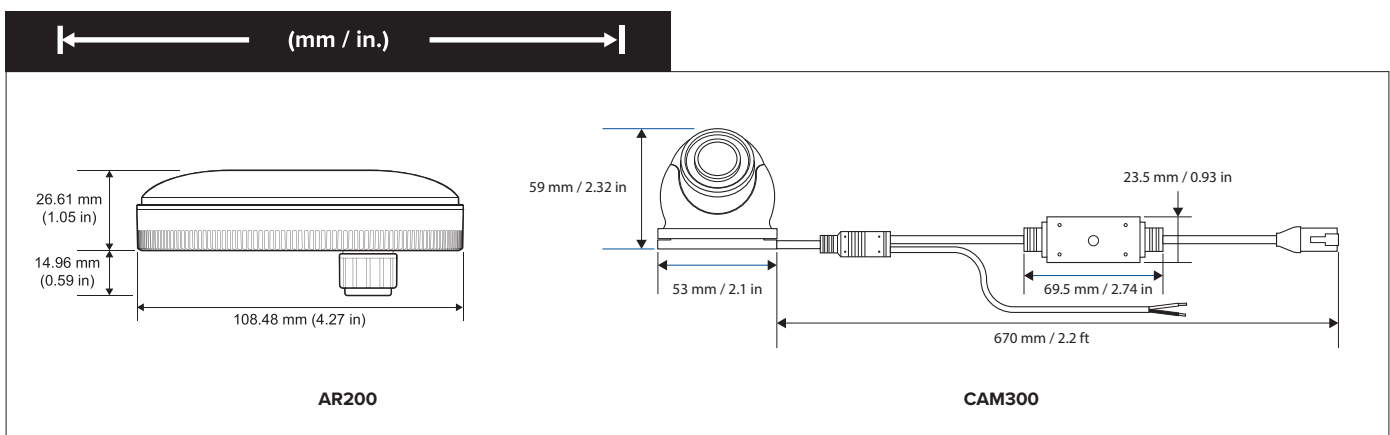


See Waypoints in the Real World

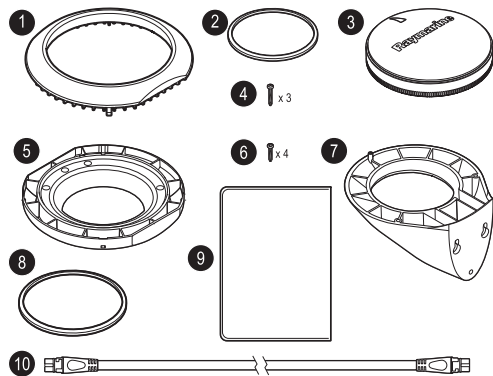
Visualize nearby marks and waypoints for easy navigation. ClearCruise AR technology makes it easy to pick out the buoys marking the edges of the safe channel on a hazy day.

CLEARCRUISE AR

PART NO.	DESCRIPTION
AUGMENTED REALITY	
T70453	Augmented Reality Pack including CAM220 Eyeball camera, AR200, STNG 1m Backbone, T-piece & 10m Raynet Cable
T70452	Augmented Reality Pack including CAM210 Bullet camera, AR200, STNG 1m Backbone, T-piece & 10m Raynet Cable
T70581	Augmented Reality Pack including CAM300 Eyeball camera, AR200, STNG 1m Backbone, T-piece & 10m Raynet Cable
E70537	AR200 IP Camera Stabilisation Module, for Augmented Reality



AR200 : IN THE BOX



1. Mounting trim (Top).
2. Small sealing ring.
3. AR200.
4. 3 x large bulkhead bracket fixings (Pan head pozi DIN7981 ST 3.9x22 C Z A4 Stainless steel).
5. Mounting tray (Bottom).
6. 4 x small surface mount fixings (Pan head pozi DIN7981-ST 2.9x13 C Z A4 Stainless steel).
7. Bulkhead (Wall) bracket.
8. Large sealing ring.
9. Documentation.
10. 6 m (19.69 ft) SeaTalkng® (White) cable.

SATELLITE TV



SAILING



CRUISING



FISHING

Raymarine's Satellite TV antennas bring the same combination of high performance and ease-of-use to your onboard entertainment that you would expect from your home entertainment system. Housed in a compact dome, our antenna systems automatically track and receive satellite TV signals in almost any conditions - guaranteed quick, clear, reliable access to hundreds of digital channels.

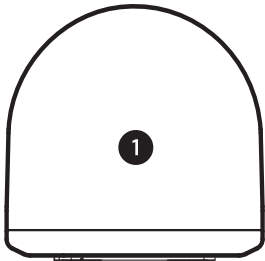
PART NO.	DESCRIPTION
Satellite TV	
33STV, 37STV, 45STV AND 60STV SATELLITE TV ANTENNAS	
E70454	33STV - 33cm Satellite TV System for Europe, Brazil & Mexico
E70457	37STV - 37cm Satellite TV System for Europe, Brazil & Mexico
E70462	45STV - 45cm Satellite Antenna System for Europe, Brazil & Mexico
E70466	45STV - 45cm Satellite TV Antenna System with Auto Skew for Europe
E70473	60STV - 60cm Satellite TV Antenna System for Europe, Middle East, Brazil & Mexico
OTHER SATELLITE TV	
E70453	33STV - 33cm Satellite TV Antenna System Americas
E70456	37STV - 37cm Satellite TV Antenna System Americas
E70461	45STV - 45cm Satellite TV Antenna HD System Americas
E70471	60STV - 60cm Satellite TV Antenna HD System Americas
E70455	33STV - 33cm Satellite TV System for New Zealand
E70459	37STV - 37cm Satellite TV System for Australia (replaces E42192-2)
E70474	60STV - 60cm Satellite TV Antenna System for China and New Zealand

SATELLITE TV

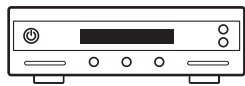
PART NO.	DESCRIPTION
SATELLITE TV ACCESSORIES	
E42172	33STV Empty Dome and Baseplate
E96016	37STV Empty Dome and Baseplate
E96009-V	45STV Empty Dome and Baseplate
E96013	60STV Empty Dome and Baseplate
E96008	RF Cable 30m



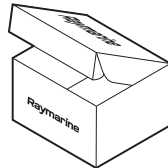
33STV / 37STV / 45STV / 60STV



2

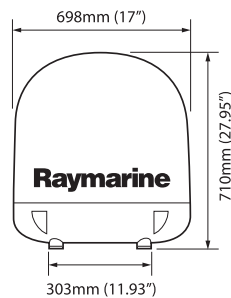
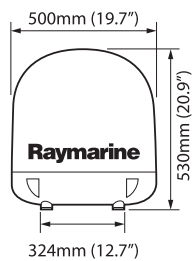
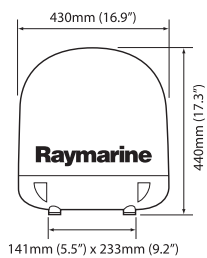


3



1. STV dome
2. Antenna Control Unit (ACU)
3. Accessories pack

← (mm / in.) →



AIS



SAILING



CRUISING



FISHING

AIS (Automatic Identification System) systems enable the wireless exchange of navigation status between vessels and shore-side traffic monitoring centres. Commercial ships, ocean-going vessels and recreational boats equipped with AIS transceivers broadcast AIS messages that include the vessel's name, course, speed and current navigation status.



AIS700 AIS TRANSCEIVER

The AIS 700 is a Class B Transceiver featuring the latest SO-TDMA Technology. Complete with an internal antenna splitter that allows the AIS to share the antenna with the VHF.



AIS4000 AIS TRANSCEIVER

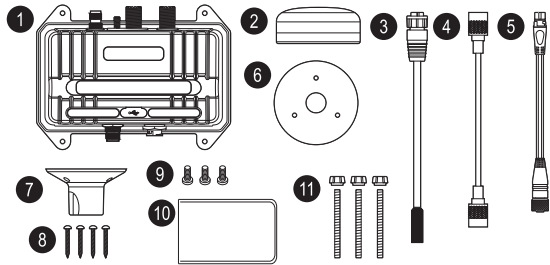
The AIS4000 boasts a high definition colour display for quick access to integrated charts, alarms, and tracking. Additional support for wired and wireless networking with shipboard systems make AIS4000 a premier SOLAS and Inland Waterway-certified Class A transceiver.

PART NO.	DESCRIPTION
Automatic Identification Systems - AIS	
Automatic Identification Systems - AIS	
E70476	AIS700 Class B Transceiver with integrated splitter
Automatic Identification Systems - AIS Class A	
E70601	AIS4000 Transponder Bundle
ACCESSORIES	
A80586	AIS 4000/5000 mounting bracket
A80587	AIS4000 / AIS5000 POWER CABLE
A80588	AIS4000 / AIS5000 JUNCTION BOX
A80589	GA200 GPS & Glonass antenna (AXIOM Pro, AXIOM XL & AIS 700/4000/5000)
A80590	AIS 4000/5000 VHF Antenna (and fixings)
A80593	AIS 4000/5000 Junction Box Data Interface Cables
A06045	DeviceNet (Female) to STNG Spur (Female) Adaptor Cable (400mm)

AIS



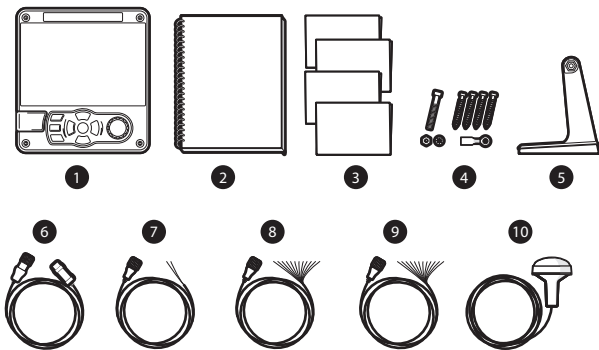
AIS700: IN THE BOX



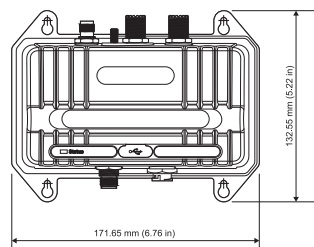
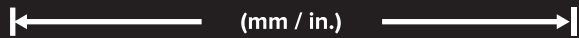
1. Transceiver
2. GNSS Antenna with Cable 2m
3. Power / Data Cable
4. VHF Radio Cable 1m
5. DeviceNet to SeaTalk[®] adaptor cable
6. GNSS Antenna Gasket
7. GNSS Antenna Pole Mount
8. AIS Unit Fixings
9. Screws
10. Documentation
11. Fixings for optional surface mounting GNSS antenna



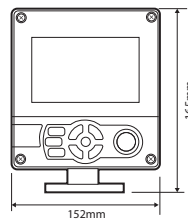
AIS4000: IN THE BOX



1. AIS transceiver
2. Product Manual
3. Documentation Pack
4. Fixings
5. Mounting Bracket
6. STng to DeviceNet cable
7. Power cable
8. 14 way data cable
9. 18 way data cable
10. GNSS Antenna Cable Assy



AIS700



AIS4000

VHF COMMUNICATIONS



SAILING



CRUISING



FISHING

From compact VHF Radios to the ultimate all-in-one communications solution - we have a VHF Radio for every boater! You'll always be heard loud and clear with a VHF Radio from Raymarine. Whether it's our new compact Ray53, full-sized Ray63, or multifunction Ray73, you can depend on your Raymarine VHF Radio for years of trouble-free communication at sea.



RAY53

Raymarine's Ray53 radio is small in size but big on features and performance. Ray53 is a full-function VHF marine radio with Class D Digital Selective Calling (DSC) and a built-in GPS receiver.



RAY63

The Ray63 offers reliable VHF performance, multi-station control, and intercom capability using optional RayMic wireless and wired controllers. The Ray63 has a built-in GPS receiver and features Class D Digital Selective Calling (DSC).



RAY73

The Ray73 has all of the features, performance, and remote options as the full-sized Ray63 plus an integrated AIS receiver. NMEA0183 and NMEA2000 ports allow the Ray73 to network with chartplotters for AIS and DSC functions.

RAY90

Raymarine's fixed mount Ray90 modular VHF radio bring multi-station communications to a whole new level of power, performance and flexibility. The Ray90 is a black-box design with a transceiver that hides out of sight under your helm, in a locker, or just about anywhere.

RAY91

In addition to being a full featured VHF radio system, the Ray91 also has a built-in Automatic Identification System (AIS) receiver. Ray91 can receive the navigation and safety broadcasts from nearby AIS-equipped vessels and share them with your compatible MFD, chartplotter, radar and instruments.



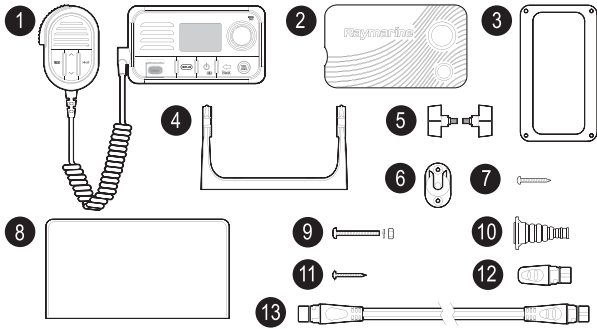
VHF COMMUNICATIONS

PART NO.	DESCRIPTION
VHF Radios	
VHF Radios	
E70524	Ray53 VHF Radio with Integrated GPS receiver
E70516	Ray63 VHF Radio (optional 2nd handset) with Integrated GPS receiver
E70517	Ray73 VHF Radio (optional 2nd handset) with Integrated GPS and AIS receiver
E70492	Ray 90 VHF Black Box (inc wired handset, passive speaker and cable)
E70493	Ray 91 VHF Black Box with AIS Rx (inc wired handset, passive speaker and cable)
T70424	Ray 90 VHF Black Box with AIS 700 Tx & Rx (inc wired handset, passive speaker and cable)
VHF RADIOS ACCESSORIES	
T70469	Ray 63/73 Wireless 1st Station including Wireless Handset, Wireless Hub, Active Speaker & adaptor cable
T70433	Ray 90/91 Wireless 1st Station including Wireless Handset, Wireless Hub and Active Speaker
T70434	Ray 63/73/90/91 Wireless 2nd Station including Wireless Handset and Active Speaker
T70432	Ray 63/73/90/91 Wired 2nd Station including Raymic Handset, Y-cable, Passive Speaker & 10m cable
A80540	Wireless Hub Ray63-73-90-91
A80541	Ray 63/73/90/91 Wireless Hub Aerial extension (5m)
A80542	Passive Speaker Ray60/63/70/73/90/91
A80543	Active Wireless Speaker Ray63-73-90-91
R70430	Fist Mic Assembly for Ray 63/73
A80544	Wireless Handset with Holster / Charger Ray63/73/90/91
A80289	Wired Handset Ray60/63/70/73/90/91
A80291	Raymic 5m Extension Cable Ray60/63/70/73/90/91
A80292	Raymic 10m Extension Cable Ray60/63/70/73/90/91
A80290	Raymic 15m Extension Cable Ray60/63/70/73/90/91
A80296	Fistmic Adaptor Cable (12 pin to 8 pin) 400mm
A80297	Wired Handset Adaptor Cable Ray60/63/70/73/90/91
A80333	Black Bezel for Ray 63/73
R70739	Wireless adaptor cable (Ray63/73) 220mm
R70484	VHF Handset Hanger / Ray50-52-53-60-63-70-73-90-91
M95435	External Hailing Horn Speaker

VHF COMMUNICATIONS



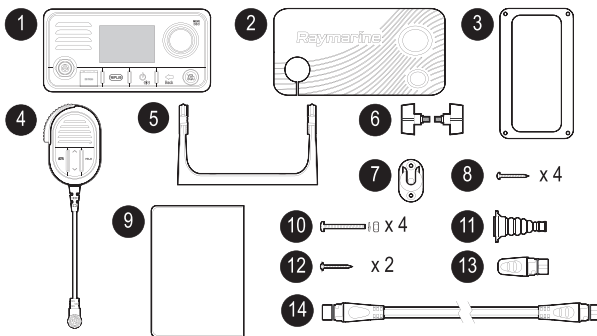
RAY53: IN THE BOX



1. VHF Radio
2. Sun cover
3. Panel mount gasket
4. Mounting bracket (Trunion)
5. Mounting bracket knobs
6. Fistmic hook plate
7. 4 x M4x25 screws (For Bracket (Trunion) mounting)
8. Documentation
9. 4 x M4 nuts, spring washers and M4x25 machine screws (For Panel mounting)
10. Protective antenna boot
11. 2 x M4x12 screws (For Fistmic hook plate mounting).
12. SeaTalkng[®] blanking plug
13. SeaTalkng[®] 400 mm (15.7 in.) spur cable



RAY63/73: IN THE BOX

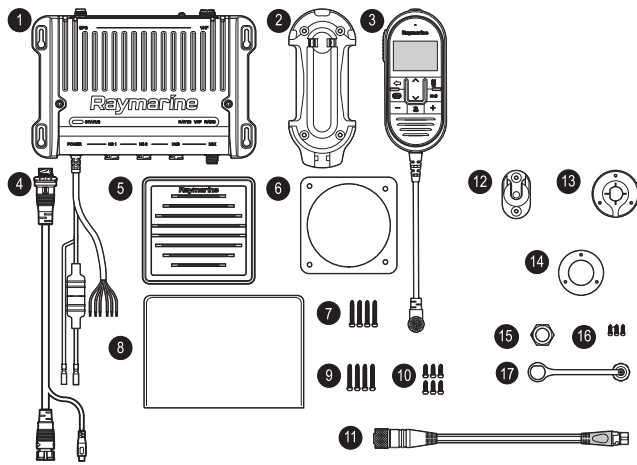


1. VHF Radio
2. Sun cover
3. Panel mount gasket
4. Fistmic
5. Mounting bracket (Trunion)
6. Mounting bracket knobs
7. Fistmic hook plate
8. 4 x M4x25 screws (For Bracket (Trunion) mounting)
9. Documentation
10. 4 x M4 nuts, spring washers and M4x25 machine screws (For Panel mounting)
11. Protective antenna boot
12. 2 x M4x12 screws (For Fistmic hook plate mounting)
13. SeaTalkng[®] blanking plug
14. SeaTalkng[®] 400 mm (15.7 in.) spur cable

VHF COMMUNICATIONS

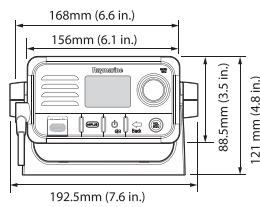


RAY90: IN THE BOX

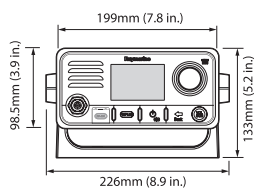


1. Ray90 / Ray91 VHF DSC Radio base station (including fitted power and data cable)
2. Wired handset holster
3. Wired handset
4. Wired handset adaptor cable with RCA Audio 400 mm (1.3 ft)
5. Passive speaker and bezel
6. Passive speaker mounting gasket
7. 4x M4x25 screws (for wired speaker mounting)
8. Documentation
9. 4x M4x25 screws (For base station mounting)
10. 6x M4x12 screws (For Handset holster and hook plate mounting)
11. DeviceNet to SeaTalkng[®] 1 m (3.28 ft) adaptor cable
12. Handset hook plate
13. Through panel cable mounting plate
14. Through panel cable mounting plate gasket
15. Through panel cable mounting nut
16. Through panel cable mounting plate screws x3
17. Through panel cable mounting dust cap

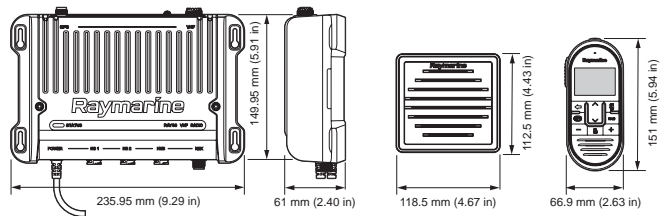
← (mm / in.) →



RAY53



RAY63/73



RAY90/91

NEUBOAT DOCK



Raymarine Neuboot Dock enhances your time on the water, ensuring you navigate and dock your boat free from unnecessary worries. The Neuboot Dock 360-degree surround view docking camera system for Axiom incorporates cutting-edge autonomous technology, empowering you to dock your boat with absolute confidence.

Docking a boat can be stressful. Blind spots, wind, and currents are all conspiring against you. The Raymarine Neuboot Dock system makes docking effortless. Neuboot Dock delivers a 360-degree view around your vessel, eliminating blind spots so you can manoeuvre in tight areas and approach the dock stress-free.



360 DEGREES OF AWARENESS

A 6-camera system provides a 360-degree birds-eye view around the vessel.



DOCK WITH CONFIDENCE

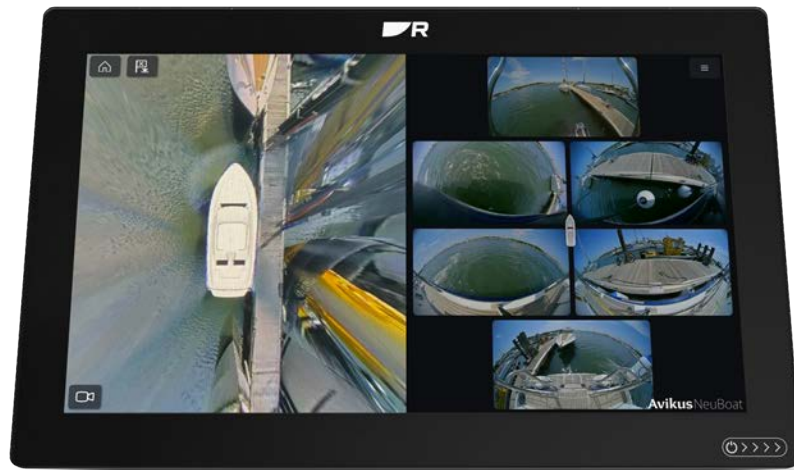
On-screen distance guides provide visual cues and help you dock in tight spaces.



MULTIPLE VIEWS

Enjoy a 360-degree view or view each camera independently with pre-set docking modes.

NEUBOAT DOCK



SIX SURROUND VIEW MONITOR CAMERAS

Installed at the bow, bow-port, bow-starboard, port, starboard, and stern on your vessel, these cameras provides a 360° birds-eye surround view of your vessel's immediate surroundings. Six cameras provide coverage for vessels up to 100 ft (30 metres).

CAMERA CONVERSION UNIT

Installed below deck, this unit receives data from the 6 Surround-View Monitor cameras and then transmits the processed data to the connected Object Recognition Unit. For vessels over 50 feet (15 metres), an additional Camera Conversion Unit and network cabling may be required.

OBJECT RECOGNITION UNIT

Installed below deck, the Object Recognition receives data from the Camera Conversion Unit and then interprets the visual information from all connected cameras into a synchronized view.

AXIOM DISPLAY

At the helm, an Axiom chartplotter display provides simple touchscreen access to the Neuboot Dock user interface and 360-degree camera view.

SIMPLIFIED INSTALLATION FOR BOAT BUILDERS

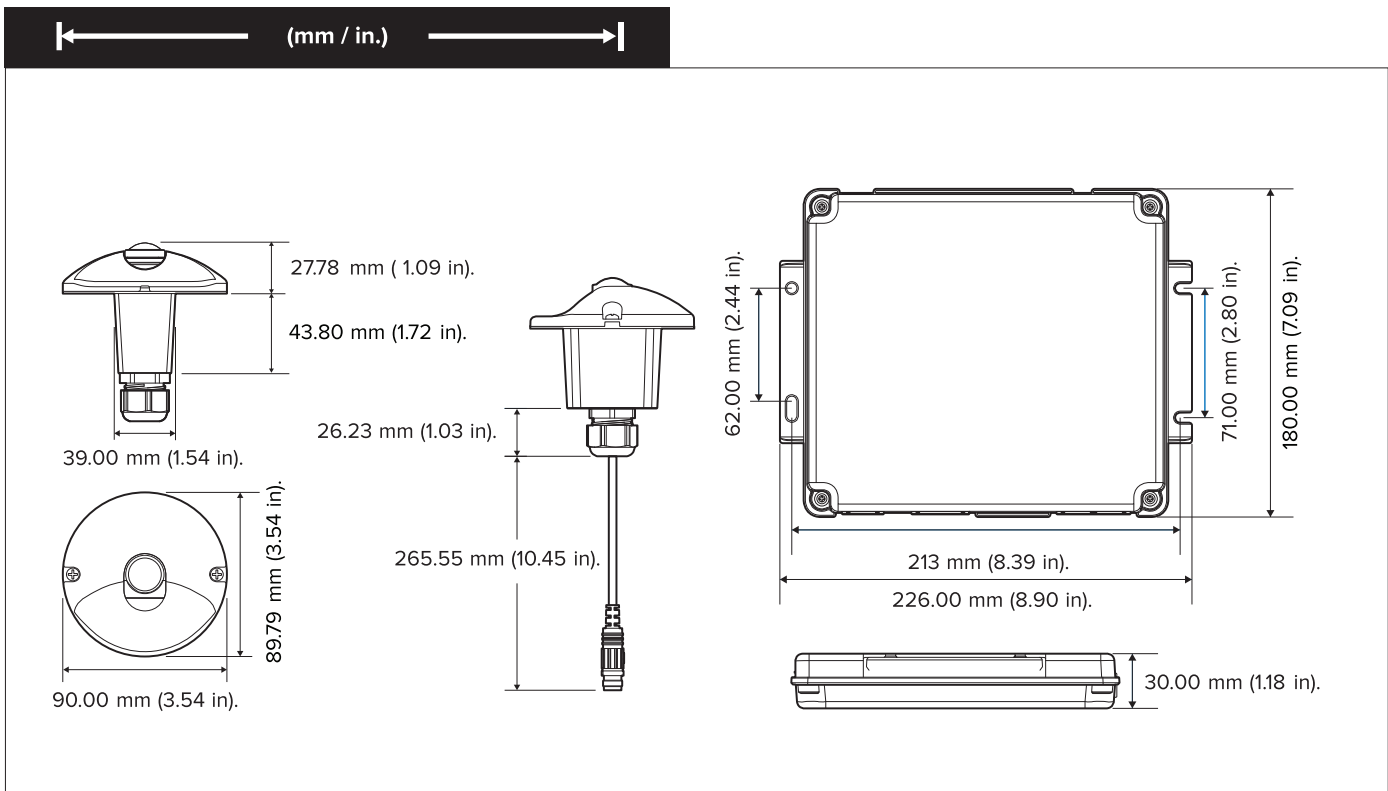
Designed for new boat construction, Neuboot Dock from Raymarine offers simplified configuration and commissioning. Calibration can be performed on land or in the water. No cumbersome calibration mats or posts used in other systems are required. Calibration does not require Raymarine personnel to be on-site at the boat factory. NeuBoat Dock can be calibrated remotely with a simple Axiom internet connection via Wi-Fi or a YachtSense Link router.

- For vessels in 50' (15 metres) range
- Includes six surround view monitor cameras
- Includes camera conversion kit
- Compatible with Raymarine Axiom chartplotters (sold separately)

PART NO.	DESCRIPTION
Neuboot 360 Dock	
Neuboot 360 Dock System	
E70699	Neuboot Dock Basic System

NEUBOAT DOCK

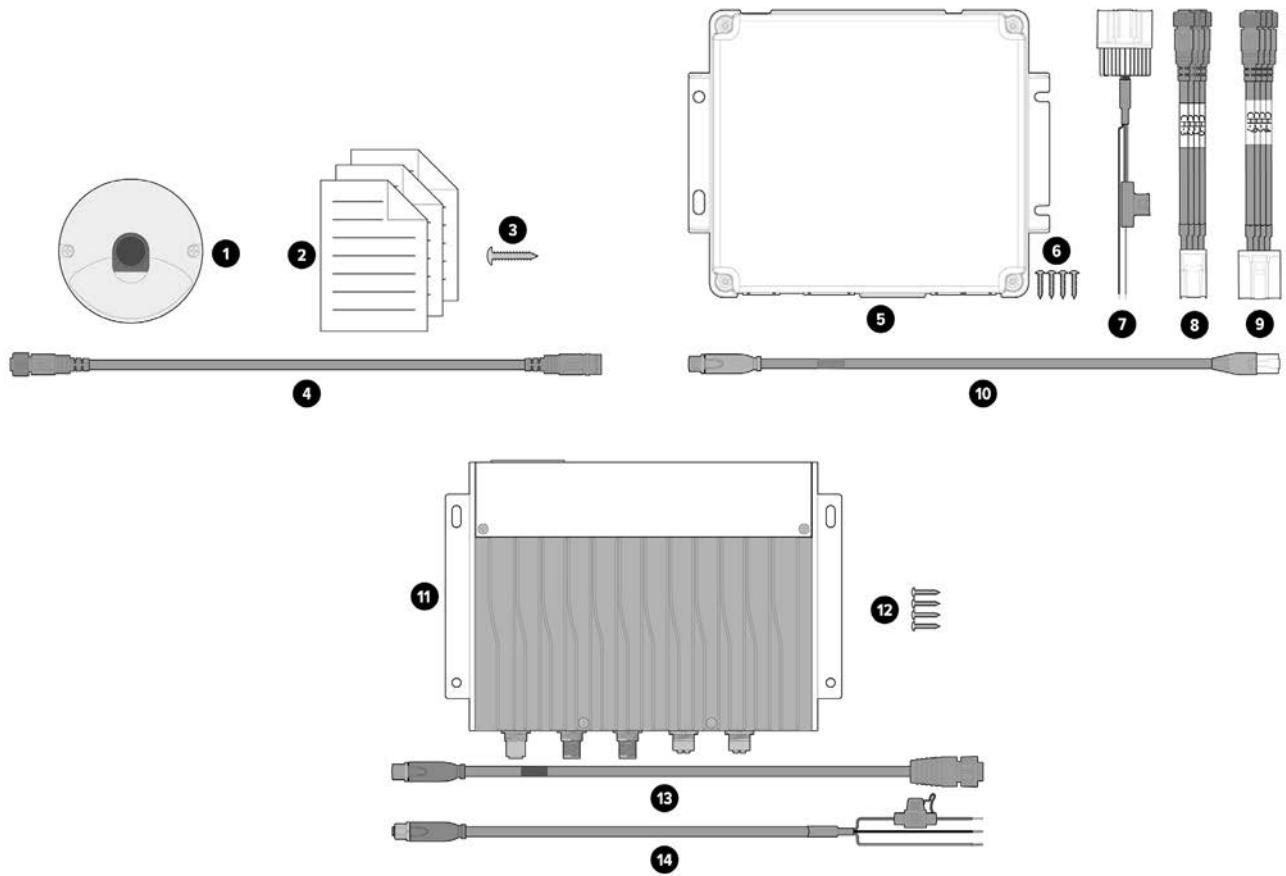
PART NO.	DESCRIPTION
ACCESSORIES	
A80760	Camera Conversion Unit
A80761	Camera to Camera Conversion Unit Cable (15m)
A80762	Camera to Camera Conversion Unit Cable (20m)
A80763	Camera Conversion Unit to Raynet Cable (15m)
A80764	Camera Conversion Unit to Raynet Cable (25m)
A80765	Object Recognition Unit to Raynet Cable (25m)
A80766	Object Recognition Unit to Raynet Cable (50m)
A80767	Camera Conversion Unit to Object Recognition Unit Cable (15m)
A80768	Camera Conversion Unit to Object Recognition Unit Cable (25m)
A80769	Object Recognition Unit Power Cable (2m)
A80770	Camera Conversion Unit Power Cable (1m)
A80771	Camera Conversion Unit Camera Input Cable_1 (0.2m)
A80772	Camera Conversion Unit Camera Input Cable_2 (0.2m)



NEUBOAT DOCK



NEUBOAT DOCK: IN THE BOX



- | | |
|---|--|
| <ul style="list-style-type: none"> 1. (6x) Surround View Monitor camera. 2. (1x) Documentation pack (includes placement position file)
Power / Data Cable 3. (24x) Fixing screws 4. (6x) SVM camera to CCU cable, 15 m (49.21 ft) 5. (1x) Camera Conversion Unit 6. (4x) Fixing screws 7. (1x) CCU power cable, 1 m (3.3 ft) | <ul style="list-style-type: none"> 8. (1x) CCU camera input cable 1, 200 mm (7.87 in) 9. (1x) CCU camera input cable 2, 200 mm (7.87 in) 10. (1x) CCU to ORU cable, 15 m (49.21 ft) 11. (1x) Object Recognition Unit 12. (4x) Fixing screws 13. (1x) ORU to RayNet cable, 25 m (82.02 ft) 14. (1x) ORU power cable, 2 m (6.56 ft) |
|---|--|

DOCKSENSE

ASSISTED DOCKING TECHNOLOGY



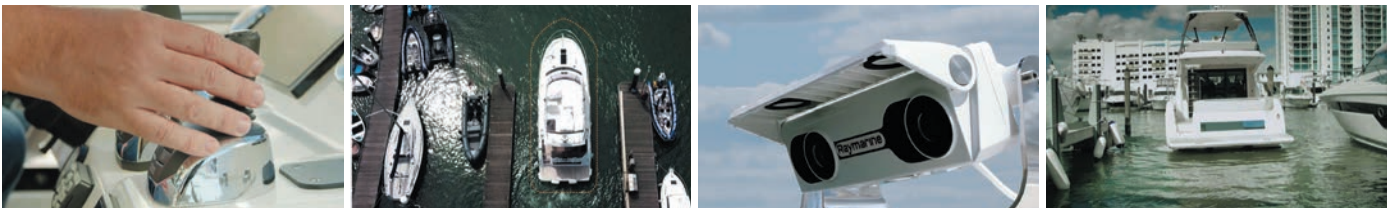
CRUISING



FISHING

DOCKSENSE™ CONTROL - ASSISTED DOCKING TECHNOLOGY

DockSense is available as part of DockSense Control and DockSense Alert systems. DockSense Alert provides enhanced situational awareness to captains. DockSense Control builds on this with a vessels engine and control systems as detailed below. Yachtsense systems are available through boat builders and technical dealers only.



THE DOCKING CHALLENGE

Docking a boat can be a stressful experience, even for the most experienced captains. Often wind and tides make the task more difficult, and docking mishaps can become expensive repairs. The Raymarine DockSense™ Control system is designed to augment a captain's boat handling skills using the system's Virtual Bumper™ zone technology around the vessel. Should an object like a piling or another vessel encounter the Virtual Bumper, DockSense™ Control automatically introduces corrective steering and throttle commands to avoid the object and assist the captain in guiding the vessel to the dock.

THE FUTURE OF BOAT HANDLING

DockSense™ Control uses global positioning system (GPS) and attitude heading reference system (AHRS) position sensing technology to compensate for the effects of wind and currents, ensuring the vessel enters the dock without drama or costly collisions. The Raymarine DockSense™ Control systems include multiple FLIR machine vision cameras, a central processing module, and the DockSense™ Control App running on Raymarine's Axiom navigation display. The system integrates with modern joystick propulsion systems, providing assisted steering and throttle commands to help captains make a smooth arrival.

DOCKSENSE

ASSISTED DOCKING TECHNOLOGY

DOCKSENSE™ ALERT

DockSense Alert is the next generation of Raymarine’s intelligent docking technology designed to enhance a captain’s awareness of immediate surroundings while manoeuvring the vessel in close quarters. Using advanced stereo vision camera technology, DockSense Alert detects objects above the water line and creates an intuitive map of potential hazards around the boat. Live video feeds enhance the captain’s view while audible and visible alerts inform the captain when an object is close to the vessel.



DOCK WITH CONFIDENCE

DockSense Alert gives captains the confidence to dock in challenging conditions at any dock, in any location. Unlike other docking assistants, DockSense Alert does not require any complex external dockside beacons or sensors. Raymarine’s DockSense Alert is entirely self-contained and integrated with the vessel’s navigation system and ready to use in every docking location.

At the helm, Axiom’s DockSense Alert app provides an informative map showing distance to objects around the boat. Live camera feeds provide added confidence by eliminating blind spots and allowing the captain to see what is happening in real-time. DockSense Alert also offers helpful notifications tuned to the captain’s preferred proximity alert distance.

DOCKSENSE ALERT VESSEL INTEGRATION

DockSense Alert systems are designed for professional engineer installation, and each system integrates with Raymarine Axiom multifunction navigation displays. In addition to advanced 3D stereo vision cameras, DockSense Alert systems require precision heading and motion-sensing technology in the form of the AR250 and AR270 DockSense heading sensors. The two sensors combine to create a highly accurate GPS compass system, unaffected by magnetic interference. When outfitting a vessel, Raymarine DockSense experts will partner with your engineering team to design a DockSense Alert system that provides maximum coverage and confidence for you.



PART NO.	DESCRIPTION
DockSense	
DockSense Alert - available through Boat builders and specialist technical dealers only.	
T70486	DockSense Alert 1 Camera System
T70487	DockSense Alert 3 Camera System
T70488	DockSense Alert 5 Camera System
DockSense Control - available through Boat builders and specialist technical dealers only.	
T70489	DockSense Control 3 Camera System
T70490	DockSense Control 5 Camera System

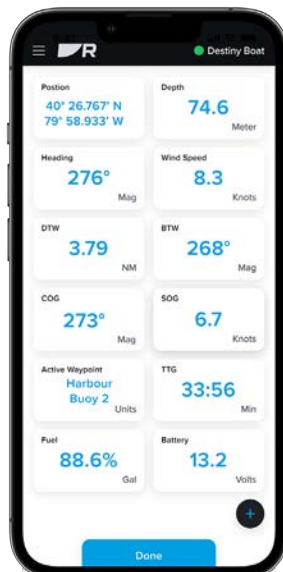
YACHTSENSE ECOSYSTEM



The YachtSense Ecosystem enables complete onboard and offboard integration with all devices connected to the boats network.

An installed system assures captains and boat owners of the readiness of their vessel prior to, during and after their voyage. They are always connected to the boat.

Voyage preparations can begin before leaving home, and whilst onboard guests and crew can be connected to the boat.



LEVEL 1: MOBILE COMMAND

RAYMARINE APP

The Raymarine® App can operate independently of YachtSense Link and YachtSense. The app connects directly to Axiom® displays via Wi-Fi.

- Stream and control Axiom multifunction displays from anywhere onboard
- Back-up waypoints, tracks and screenshots on your mobile device

RAYMARINE APP WITH YACHTSENSE LINK

- Remotely access and control YachtSense connected devices
- Monitor your boat remotely with GeoFence and YachtSense Link
- View real time instrument and navigation data



YACHTSENSE ECOSYSTEM



LEVEL 2: OFFBOAT CONNECTIVITY

YACHTSENSE LINK

YachtSense Link is a multi-purpose marine mobile router equipped with Raynet Ethernet ports, mobile broadband connectivity, and onboard Wi-Fi. YachtSense Link allows crew and family to connect Axiom® displays, phones, tablets, and PCs to a unified onboard network. YachtSense Link automatically switches between marina Wi-Fi and mobile networks to ensure you are always connected. Combine YachtSense Link with the Raymarine mobile app for remote access to your Raymarine network and enjoy the added security of remote GeoFence vessel monitoring. YachtSense Link also features low-voltage digital switching/monitoring channels for controlling and monitoring onboard electrical devices like pumps, batteries, lighting, and more.

- Mobile broadband connection to 4G (LTE) networks (SIM card and data plan required)
- Supports dual SIM cards for seamless connectivity to international mobile networks
- 4 Raynet Ethernet ports for connecting Raymarine devices
- Integrated GPS with a range extending 4 in 1 antenna (GPS/ GNSS, 3G, 4G, and Wi-Fi)
- Low power consumption mode supports GeoFence remote monitoring (subscription required)
- SeaTalkNG/NMEA2000 port
- 4 x input and output low voltage digital switching channels
- Easy DIY setup using a web browser or Axiom display
- Rugged IPX6 enclosure is shock and vibration resistant

LEVEL 3: SMART HOME ON THE WATER

YACHTSENSE

YachtSense is Raymarine's bespoke digital control system that controls and monitors all of a vessel's electrical and electronics systems. When integrated with the Raymarine app and YachtSense Link, the YachtSense Digital Control System can be remotely accessed and controlled from anywhere there is internet access. Operate onboard equipment, monitor vessel systems, and respond to notifications right from the Raymarine app on your mobile phone or tablet.



YACHTSENSE ECOSYSTEM



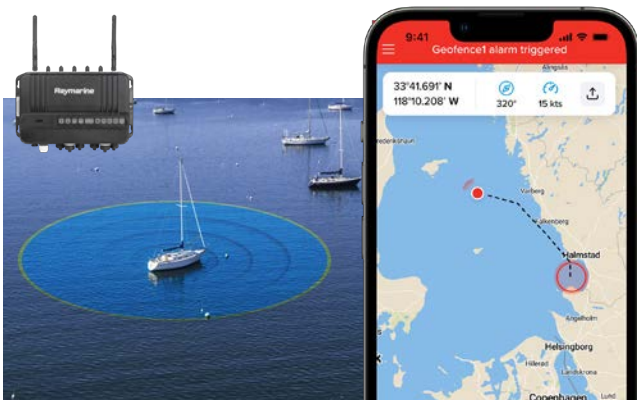
LEVEL 1: COMMAND AND CONTROL

Stream and control Axiom from your phone or tablet from anywhere onboard.



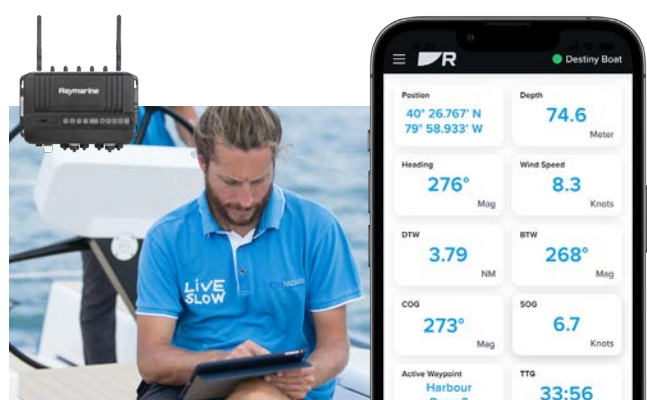
LEVEL 1: SECURE BACK UP

Critical waypoints, routes and tracks can be transferred to your mobile device.



LEVEL 2: REMOTE MONITORING

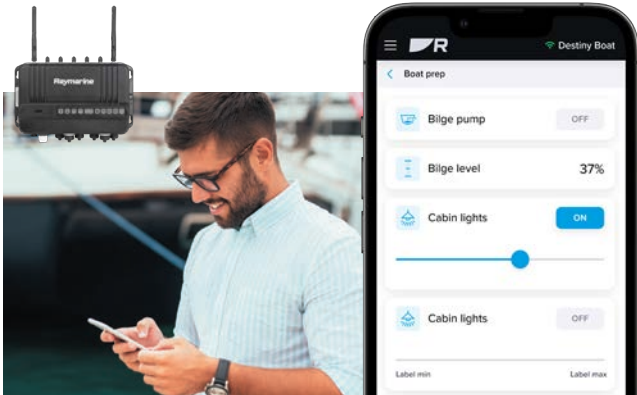
Raymarine GeoFence provides alerts and notifications if your vessel moves in or outside a safety zone.



LEVEL 2: STAY INFORMED

Connect and view real time instrument and navigation data on board or remotely.

YACHTSENSE ECOSYSTEM



LEVEL 2: REMOTE MONITORING

Monitor bilge water sensors, battery voltage, shore power, smoke alarms and more. Control is afforded with the addition of a switching relay.

LEVEL 2: ALWAYS CONNECTED

Connect Raymarine equipment, tablets, smart TVs, and other wireless devices to a unified onboard Wi-Fi network with 4G mobile broadband.

LEVEL 3: TOTAL COMMAND OF THE VESSELS ELECTRICAL SYSTEMS



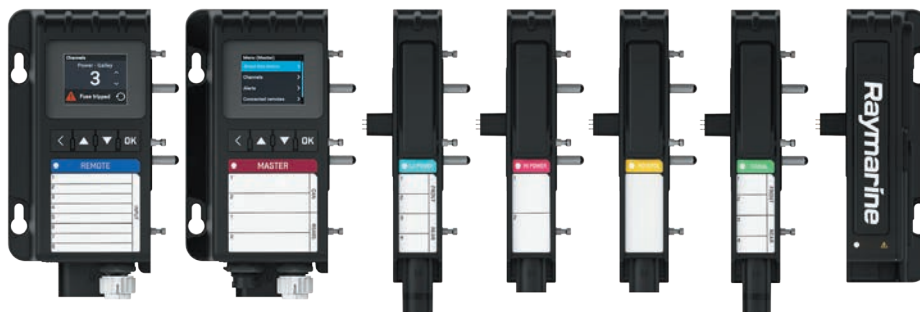
PART NO.	DESCRIPTION
YachtSense Link	
YachtSense Link Router	
E70640	YachtSense Link Marine Cloud Router w/ 4X GB RayNet, Wi-Fi, 3G/4G, GNSS, Premium External Antenna w/ 5M cable and Input/Out Cable Set
YachtSense Link Accessories	
A80701	Premium External Multi-Antenna 5m cable
A80718	External Antenna Extension Collar Kit

YACHTSENSE



YachtSense Digital Control System

YachtSense™ is the future of vessel automation. An advanced digital control system, YachtSense gives the captain total command and complete awareness of a vessel's electrical systems. YachtSense offers the most scalable, configurable, and fail-safe marine automation system available. The system offers intuitive control of every device, from lighting, pumps, and sunshades to wipers, windlass, and bathing platforms.



SCALABLE

Unique modular system architecture gives boat builders the freedom to design and standardize on a digital control solution that can scale across an entire model range.

ENGINEERED FOR THE UNEXPECTED

Three layers of redundancy give captains peace of mind. An integrated keypad allows for manual override while the LCD provides system diagnostics. Rugged IPX6 enclosures and backed by 3-year warranty.

YACHTSENSE



MODERN VESSEL AUTOMATION

YachtSense™ bespoke Axiom user interface options empowers boat builders to create a modern and elegant vessel automation solution. YachtSense gives captains total control from the helm or their mobile device.



PART NO.	DESCRIPTION
YachtSense	
YachtSense DIGITAL CONTROL SYSTEM	
E70592	YachtSense Master Unit (12v or 24v) with 2 x J1939, 2 x RS485, Ethernet & STNG inputs
E70593	YachtSense Remote Unit (12v or 24v) with up to 8 x Signal Inputs or 8 x Signal (50mA) Outputs
E70594	YachtSense Low Power Output Module with 4 x 10 Amp Outputs
E70595	YachtSense High Power Output Module with 2 x 20 Amp Outputs
E70596	YachtSense Reverse Power Output Module with 1 x Bi-Directional 20 Amp Output
E70597	YachtSense Signal Module with up to 4 x Inputs or 4 x 50mA Outputs
YachtSense DIGITAL SWITCHING ACCESSORIES	
T70418	RMK-6 Digital Switching 6 Button Key pad with 46 pre-printed legend inserts
E70443	RMK-6 Digital Switching 6 Button Key pad with 20 pre-printed legend inserts
A80514	28 Pre-printed Key inserts (25 = Icons & 3 = Blanks) for RMK-6 Digital Switching keypad
R70626	24 legend Inserts (20 = Icons & 4 = Blanks) for RMK-6
A80622	50 off 14-16 AWG MX150 Crimp Terminal
A80623	50 off 18-22 AWG MX150 Crimp Terminal
A80624	Molex Blanking Pins (Pack of 50)

ACCESSORIES



PART NO.	DESCRIPTION
STNG Cables and Components	
STNG Cables and Components	
E70010	ITC-5 Instrument Transducer Converter
E70361	Micro-Talk Puck - Micronet to SeataKNG Gateway
T70134	STNG Starter Kit (1xA06064, 2xA06031, 1xA06040, 1xA06049)
A25062	STNG Backbone Kit (2 x A06031, 1 x A06037, 2 x A06036, 4 x A06028, 1 x A06049)
E22158	ST1 to STNG Adaptor Kit (1xR52131, 2xA06031, 2xA06032, 1xA22164, 1xA06049, 1xA06039)
E70196	VHF NMEA0183 TO STNG Converter Kit (1xR52131, 2xA06031, 2xA06032, 1xA06071, 1xA06049, 1xA06039)
T12217	Cable Kit/NMEA2000 Gateway (1X A06039, 1X A06045, 1X A06064, 1X A06049, 2X A06031)
R52131	ST1 to STNG Converter only
A06049	STNG Straight Power to bare wires cable (2m)
A06070	STNG Right Angle Power to bare wires cable (2m)
A06028	STNG T-Piece Connector
A06064	STNG 5 Way Connector
A06030	STNG Backbone Extender
A06031	STNG Backbone Terminator
A06074	STNG In-Line Terminator
A06032	STNG Blanking Plug
A80614	STNG Auxillary Alarm with 1m Spur Cable
A06033	Backbone Cable 400mm
A06034	Backbone Cable 1m
A06035	Backbone Cable 3m
A06036	Backbone Cable 5m
A06068	Backbone Cable 9m
A06037	Backbone Cable 20m
A06038	Spur Cable 400mm
A06039	Spur Cable 1m
A06040	Spur Cable 3m
A06041	Spur Cable 5m
A06072	Spur Cable 6m
A06042	STNG Elbow to Elbow Spur Cable (400mm)
A06080	STNG Elbow to Straight DeviceNet (Female) Cable (1m)
A06081	STNG Elbow to Straight Spur Cable (1m)
A06077	STNG Right Angle Adaptor
A06082	DeviceNet (Female) to STNG (Socket / Male) Straight Adaptor

ACCESSORIES

PART NO.	DESCRIPTION
A06083	STNG (Female) to DeviceNet (Socket / Male) Straight Adaptor
A06084	DeviceNet (Female) to STNG (Socket / Male) Right Angle Adaptor
A06079	DeviceNet (Female) to STNG Spur (Female) Adaptor Cable (120mm)
A06045	DeviceNet (Female) to STNG Spur (Female) Adaptor Cable (400mm)
A06075	DeviceNet (Female) to STNG Spur (Female) Adaptor Cable (1m)
A06078	DeviceNet (Male) to STNG Spur (Female) Adaptor Cable (120mm)
A06076	DeviceNet (Male) to STNG Spur (Female) Adaptor Cable (1m)
A06046	DeviceNet (Male) to STNG Spur (Female) Adaptor Cable (1.5m) NLA, please use A06076, 1mtr instead of 1,5mtr
A80674	STNG Backbone (Female) to DeviceNet (Socket / Male) 400mm adaptor cable
A80675	STNG Backbone (Female) to DeviceNet (Female) 400mm adaptor cable
A06047	ST1 (3 Pin) to STNG Spur (Female) Adaptor Cable (400mm)
A06073	ST1 (3 Pin) to STNG Spur (Female) Adaptor Cable (1m)
A06048	ST2 (5 Pin) to STNG Spur (Female) Adaptor Cable (400mm)
A06043	STNG Spur (Female) to Stripped End Cable (1m)
A06044	STNG Spur (Female) to Stripped End Cable (3m)
R12112	1m STNG to SPX Moulded Cable

ACCESSORIES



PART NO.	DESCRIPTION
Network Cables and Components	
Network Cables and Components	
A80731	RNS5 Gigabit Raynet Network Switch
A80732	RNS8 Gigabit Raynet Network Switch with 4 x POE ports
E55060	SeaTalkHS Crossover Coupler
4115028	Weather proof Ethernet coupler
A80247	RayNet to RJ45 (F) Adaptor - 100mm
A62360	RayNet (F) to RJ45 (M) cable - 1m
A80756	Right Angled RayNet (F) to RJ45 (M) cable - 3m
A80151	RayNet (F) to RJ45 (M) cable - 3m
A80159	RayNet (F) to RJ45 (M) cable - 10m
A80837	Right Angled RayNet (F) to RJ45 (M) cable - 10m
308-0251-30-00	RayNet (F) to RJ45 (M) cable - 30m
308-0252-30-00	RayNet Right Angle (F) to RJ45 (M) cable - 30m
A80161	Raynet (F) to Raynet (F) cable - 400mm
A62361	Raynet (F) to Raynet (F) cable - 2m
A80005	Raynet (F) to Raynet (F) cable - 5m
A62362	Raynet (F) to Raynet (F) cable - 10m
A80512	Raynet Right Angle (F) to Raynet Straight (F) cable - 10m
A80006	Raynet (F) to Raynet (F) cable - 20m
A80162	RayNet (M) to RayNet (M) cable - 100mm
A80262	RayNet (Male) Right Angle Adaptor
A80160	RayNet (F) to SeaTalkHS (F) adaptor - 400mm
A80276	RayNet (F) to STHS (M) Cable - 3m
A80272	RayNet Male to STHS Male water tight for DSM or legacy MFD connection to open RayNet Female cable
R70014	RayNet Cable Puller - 5 pk
ST1 CABLES AND COMPONENTS	
D244	3 Way SeaTalk1 Junction Block
D230	SeaTalk Extension Cable 400mm
D284	SeaTalk Extension Cable 1m
D285	SeaTalk Extension Cable 3m
D286	SeaTalk Extension Cable 5m
D287	SeaTalk Extension Cable 9m
E25051	SeaTalk Extension Cable 12m
D288	SeaTalk Extension Cable 20m
E55054	SeaTalk Alarm Out Cable 1.5m

ACCESSORIES

PART NO.	DESCRIPTION
ENGINE CONTROL INTERFACE & ACCESSORIES	
E70227	ECI-100 Universal Engine and Control Interface
E70240	Volvo Engine EVC Link Cable (1M)
E70241	Volvo Engine Y-Loom cable
E70242	Yamaha Command-Link Cable 1M
E70305	Caterpillar Engine 12 Pin Link Cable (400mm)
E70260	NMEA 2000 Devicenet male to Devicenet female cable (2m)
ENGINE CONTROL INTERFACE & ACCESSORIES	
E70227	ECI-100 Universal Engine and Control Interface
E70240	Volvo Engine EVC Link Cable (1M)
E70241	Volvo Engine Y-Loom cable
E70242	Yamaha Command-Link Cable 1M
E70305	Caterpillar Engine 12 Pin Link Cable (400mm)
E70260	NMEA 2000 Devicenet male to Devicenet female cable (2m)

MARETRON MPOWER DIGITAL SWITCHING



Maretron®

Maretron MPower® gives boat owners a smarter, simpler way to manage onboard electrical systems. MPower replaces complex wiring and multiple controllers with an integrated digital switching system that works with NMEA 2000® networks and popular chartplotter displays. The result is easier control of lights, pumps, and electronics, plus automation for tasks like generator start or trim tab adjustment—all from a touchscreen or keypad. Scalable for any vessel size, MPower reduces installation time, improves reliability, and future-proofs your electrical system for upgrades down the road.

PART NO.	DESCRIPTION
Mpower	
Mpower DC Load Modules	
CLMD12	19 Channel Load Control Module - 12 Output Channels, 7 Input Channels- Does not include cables and connectors
CLMD12-R	19 Channel Load Control Module - 12 Output Channels, 7 Input Channels- Includes cables and connectors A3706 & A3707
CLMD16	28 Channel Load Control Module - 17 Output Channels, 11 Input Channels - Does not Include cables and connectors
CLMD16-R	28 Channel Load Control Module - 17 Output Channels, 11 Input Channels - Includes cables and connectors A3708, A3709, & A3710
Mpower DC Bypass Module	
CBMD12	12-Channel Optional Bypass Module for use with CLMD12 or CLMD16
CBMD12-R	12-Channel Optional Bypass Module with Fuse Pack and Jumper Wire
Accessories for CLMD12 DC Load Module	
A3706	CLMD12 - Output (J1) Mating Connector with 1m Flying Leads
A3707	CLMD12 - Input (J2) Mating Connector with 1m Flying Leads
CBMD12	12-Channel Optional Bypass Module for use with CLMD12 or CLMD16
CBMD12-R	12-Channel Optional Bypass Module with Fuse Pack and Jumper Wire
Accessories for CLMD16 DC Load Module	
A3708	CLMD16 Output (J2) Mating Connector with 1m Flying Leads
A3709	CLMD16 Output (J1) Mating Connector with 1m Flying Leads
A3710	CLMD16 J3 (I/O Gen Purpose) Harness Kit
Accessories for DC Bypass Module	
A3720	CBMD - Bypass Module Jumper Wire with Lugs, 6AWG, Red
A3721	CBMD - Bypass Module Fuse Pack (2 qty 15A, 6 qty 10A and 4 qty 5A)
Mpower Contura Series - 6 Rocker Multiplexed Operator Control Module	
A3801-1	Contura II - 6 Switch Momentary ON with Blue LED & NMEA 2000 Adapter Cable 0.2m
A3801-2	Contura II - 6 Switch Momentary ON with Blue LED (Right Switch with 3 positions) & NMEA 2000 Adapter Cable 0.2m
A3801-3	Contura V - 6 Switch Momentary ON with Blue LED & NMEA 2000 Adapter Cable 0.2m

MARETRON MPOWER DIGITAL SWITCHING

PART NO.	DESCRIPTION
A3801-4	Contura V - 6 Switch Momentary ON with Blue LED (Right Switch with 3 positions) & NMEA 2000 Adapter Cable 0.2m
A3801-5	No Cover - 6 Switch Momentary ON with Blue LED & NMEA 2000 Adapter Cable 0.2m
A3801-6	No Cover - 6 Switch Momentary ON with Blue LED (Right Switch with 3 positions) & NMEA 2000 Adapter Cable 0.2m
Contura Series Keypad Accessories	
A3702	VMM6 to NMEA 2000 Adapter Cable, used for VMM series Keypads - 0.2m
MPower CKM Series - 12 Button Multiplexed Keypad	
A3802-1	CKM12 - 12 Switch Membrane Keypad (Circle on Buttons) with CKM to NMEA 2000 Adapter Cable, 0.2m
A3802-2	CKM12 - 12 Switch Membrane Keypad (Number in Center of Circle on Buttons) with CKM to NMEA 2000 Adapter Cable, 0.2m
CKM Series - Accessories	
A3703	CKM to NMEA 2000 Adapter Cable, used for CKM series Keypads - 0.2m
Electronic Products	
Electronic Products	
ACM100-01	Alternating Current (AC) Monitor - Volts, amps, Frequency
ALM100-01	NMEA 2000 Alarm Siren
CLM100-01	6 channel Current Loop Monitor - for use with 4-20mA transducers
DCM100-01	DC Power Monitor. (Battery Monitor, Solar Panel Monitor)
DCR100-01	Direct Current Relay Module - 6 x 10amp Channels
DSM410-01	4.1" High Bright Color Display - NMEA2000 multifunction display
DSM570-01	5.7" High Resolution Color Display - NMEA2000 multifunction display
DST110-01	Depth/Speed/Temperature, Triducer with NMEA2000 DeviceNet connector
FFM100-01	Fuel Flow Monitor - 2 channel (Single Engine Supply and Return or 2 Engine Supply)
FPM100-01	Fluid Pressure Monitor with 6 Channels to monitor pressure of Tank level using 4-20mA pressure sensors
GPS200-01	NMEA2000 - GPS Antenna/Receiver
IPG100-01	Internet Protocol Gateway - NMEA2000 gateway over ethernet
J2K100-01	Converts J1939 to NMEA2000 for use with Engines, Generators, Dometic Air Cond and Ice Makers
MBB300C-01	Vessel Monitoring Control Black Box - Includes N2KView Licence
NBE100-01	NMEA 2000 Network Bus Extender with PGN filtering
RAA100-01	Converts Resistive rudder sensor to NMEA2000
RIM100-01	Run Indicator Module - 6 Channel
SIM100-01	Switch Indicator Module - 6 Channel
SSC300-01	Solid-State Rate/Gyro Compass - NMEA2000 or NMEA0183
TLA100-01	Converts Resistive tank sensors to NMEA2000 - 1 Channel
TLM100-01	Ultrasonic Tank Level Monitor (40in Depth Tanks)
TLM150-01	Ultra Sonic Tank Level Monitor Petrol / Gasoline (24in Depth Tanks)
TMP100-01	Temperature Module - 6 Channel module that converts temperature sensors to NMEA2000
TSM810C-01	8" Vessel Monitoring and Control Touchscreen
USB100-01	Gateway NMEA 2000/USB
VDR100-01	Records all NMEA2000 data on the network
WSO200-01	Ultra Sonic Weather Station - Wind Speed and Direction, Temperature and Humidity
WSV100-01	MConnect - Vessel Monitoring User Interface (HTML)

MARETRON MPOWER DIGITAL SWITCHING

PART NO.	DESCRIPTION
Software	
Software	
N2KView	N2KView® Vessel Monitoring and Control Software for Personal Computer
Real Time Cloud Service: Ordered Online - http://rtcs.maretron.com/signUp.php	
Telemetric Cloud Service: Ordered Online - http://tcs.maretron.com/createadministrator.php	
Accessories for Electronic Products	
ACM100 Alternating Current Monitor Accessories:	
M000630	100 Amp AC Transducer with Cable for use with ACM100
M000612	400 Amp AC Transducer with Cable for use with ACM100
ALM100 NMEA 2000 Alarm Siren Accessories:	
CP-WH-ALM100	ALM100 White Cover Plate
CP-BK-ALM100	ALM100 Black Cover Plate
CLM100 Current Loop Monitor Accessories:	
IRHT-01	Indoor Humidity/Temperature, Sensor
DCM100 DC Power Monitor Accessories:	
FC01	Battery Harness with Fuse - for use with DCM100
LEMHTA200-S	200 Amp DC Transducer w/cable for use with DCM100
LEMHTA400-S	400 Amp DC Transducer w/cable for use with DCM100
LEMHTA600-S	600 Amp DC Transducer w/cable for use with DCM100
TR3K	Ring/Under Bolt Temperature Probe
Display Accessories	
DSM410-Dust-Cover	Screen Cover for the DSM410
DSM570-Dust-Cover	Screen Cover for the DSM570
TSM810C-DUST-CVR-M	Dust Cover Kit, TSM810C, Maretron
DSM250CVR2PK-01	Package of (2) Black DSM250 Covers
DST110 Accessories:	
33-398-04PW	DST100 - Replacement Paddle wheel kit
M33-100	Bronze Housing Kit for DST100/DST110
FFM100 Accessories:	
M1AR	Fuel Flow Sensor 2-100 LPH (0.53-26.4 GPH) for use with FFM100
M2AR	Fuel Flow Sensor 25-500 LPH (6.6-132 GPH) for use with FFM100
M4AR	Fuel Flow Sensor 180-1500 LPH (48-396 GPH)
M8AR	Fuel Flow Sensor 8-70 LPM (2.1-18.5 GPM) for use with FFM100
M16AR	Fuel Flow Sensor 10-100 LPM (2.6-26.4 GPM) for use with FFM100
FPM100 Accessories:	
PT-0-1.5PSI-01	Pressure Transducer 0 to 1.5 PSI - 4-20mA
PT-0-3PSI-01	Pressure Transducer 0 to 3 PSI - 4-20mA
PT-0-5PSI-01	Pressure Transducer 0 to 5 PSI - 4-20mA
PT-0-10PSI-01	Pressure Transducer 0 to 10 PSI - 4-20mA
PT-0-50PSI-01	Pressure Transducer 0 to 50 PSI - 4-20mA
PT-0-100PSI-01	Pressure Transducer 0 to 100 PSI - 4-20mA
PT-0-500PSI-01	Pressure Transducer 0 to 500 PSI - 4-20mA
PT-0-1000PSI-01	Pressure Transducer 0 to 1000 PSI - 4-20mA

MARETRON MPOWER DIGITAL SWITCHING

PART NO.	DESCRIPTION
PT-0-5000PSI-01	Pressure Transducer 0 to 5000 PSI - 4-20mA
PT-SNUB-01	Pressure Snubber
PT-V-0-1BAR-01	Pressure Transducer Vacuum to 1 Bar - 4-20mA
PTS-0-1.5PSI-02	Submersible Pressure Transducer 0-1.5PSI - 4-20mA
PTS-0-3PSI-02	Submersible Pressure Transducer 0-3PSI - 4-20mA
PTS-0-5PSI-02	Submersible Pressure Transducer 0-5PSI - 4-20mA
IPG100 Accessories:	
PX0852	USB Waterproof Cover for IPG100 and VDR100
PX0837/5M00	Waterproof Ethernet Cable 16.4' for IPG100 and VDR100
J2K100 Accessories:	
MCF-2M-D4	Adapler Micro Female to Deutsch 4pin 2 M
MCF-2M-D12	Adapler Micro Female to Deutsch 12pin 2 M
MCF-2M-D12CAT	Adapler Micro Female to Deutsch 12pin 2 T
RIM100 Accessories:	
WIF-RK30880-E	Water in Fuel Detector
SIM100 Accessories:	
BHW100	Bilge High Water Detector
CO-CO1224T	Carbon Monoxide (CO) Detector
IS216	Motion Detector
MS-1035	Magnetic Switch Rectangular (Indoor)
MS-1055-N	Magnetic Switch Cylinder (Indoor/Outdoor)
MS-1075	Magnetic Switch Recessed (Indoor/Outdoor)
MS-1085-N	Magnetic Switch Rectangular (Outdoor)
VS-07.OHG	Vacuum Switch (7" Hg or 24kPa)
SH-003	Smoke/Heat Detector High Temp Kit
SH-004	Smoke/Heat Detector Kit
SSC300 Solid-State Rate/Gyro Compass Accessories:	
MARE-004-10M-7	NMEA 0183 Cable for use with SSC300
FA-CF-ST	NMEA2000 Cables & Connectors - Micro/Mid Field Attachable Connector (Straight Female)
TLM 100/150 Ultrasonic Tank Level Accessories:	
TA-5H-1.25BSP	Converts 5 hole SAE to 1.25in BSP for use with Tank monitoring sensors
TA-5H-1.5NPT	Converts 5 hole SAE to 1.5in NPT for use with Tank monitoring sensors
TFT-5H	SAE 5-Bll Patrm Non-Displacmnt Hull F/T
TFT-1.25BSP	1.25in BSP Non-Displacement Hull Focus Tube
TFT-1.5NPT	1.5in NPT Non-Displacement Hull Focus Tube
TFTDBE-5H	Focus Tube with Deadband Eliminator
TMP100 Accessories:	
TP-AAP-1	Ambient Air Temperature Probe
TP-IP-1	Immersion Temperature Probe
TP-EGT-1	Exhaust Gas Temp (EGT) Probe
TR3K	Ring/Under Bolt Temperature Probe

MARETRON VESSEL MONITORING



Maretron®

Maretron's vessel monitoring and digital switching solutions deliver complete visibility and control of your boat's electrical systems. By combining NMEA 2000®-certified sensors, fluid and electrical monitoring, and advanced digital switching, Maretron products simplify complex wiring and put you in command. Monitor engines, tanks, fuel, and navigation sensors while controlling lighting, pumps, and power distribution from a customizable touchscreen user interface. The result is a smarter, safer, and more efficient boating experience with reduced installation time, enhanced reliability, and the flexibility to personalize and expand as your needs grow.

PART NO.	DESCRIPTION
VDR100 Accessories:	
PX0852	USB Waterproof Cover for IPG100 and VDR100
PX0837/5M00	Waterproof Ethernet Cable 16.4' for IPG100 and VDR100
M003029	VDR100 16GB USB Flash Drive
NMEA 2000® Cable & Connectors	
NMEA 2000® Cable & Connectors (Micro Series)	
CG1-10	NMEA2000 Cables & Connectors - Micro Bulk Cable - 10m (gray)
CG1-20	NMEA2000 Cables & Connectors - Micro Bulk Cable - 20m (gray)
CG1-30	NMEA2000 Cables & Connectors - Micro Bulk Cable - 30m (gray)
CG1-40	NMEA2000 Cables & Connectors - Micro Bulk Cable - 40m (gray)
CG1-50	NMEA2000 Cables & Connectors - Micro Bulk Cable - 50m (gray)
CG1-100C	NMEA2000 Cables & Connectors - Micro Bulk Cable - 100m w/spool (gray)
CG1-100	NMEA2000 Cables & Connectors - Micro Bulk Cable - 100m (gray)
CG1-750C	NMEA2000 Cables & Connectors - Micro Bulk Cable - 750m with Spool (gray)
CM-CG1-CF-00.5	NMEA2000 Cables & Connectors - Micro Double-Ended Cordset - M to F - 0.5m (gray)
CM-CG1-CF-01.0	NMEA2000 Cables & Connectors - Micro Double-Ended Cordset - M to F - 1m (gray)
CM-CG1-CF-02.0	NMEA2000 Cables & Connectors - Micro Double-Ended Cordset - M to F - 2m (gray)
CM-CG1-CF-03.0	NMEA2000 Cables & Connectors - Micro Double-Ended Cordset - M to F - 3m (gray)
CM-CG1-CF-04.0	NMEA2000 Cables & Connectors - Micro Double-Ended Cordset - M to F - 4m (gray)
CM-CG1-CF-05.0	NMEA2000 Cables & Connectors - Micro Double-Ended Cordset - M to F - 5m (gray)
CM-CG1-CF-06.0	NMEA2000 Cables & Connectors - Micro Double-Ended Cordset - M to F - 6m (gray)
CM-CG1-CF-08.0	NMEA2000 Cables & Connectors - Micro Double-Ended Cordset - M to F - 8m (gray)
CM-CG1-CF-10.0	NMEA2000 Cables & Connectors - Micro Double-Ended Cordset - M to F - 10m (gray)
BHF-CM-CF	NMEA2000 Micro Bulkhead Connector

MARETRON VESSEL MONITORING

PART NO.	DESCRIPTION
CF-SPWR05-CF	NMEA2000 Cables & Connectors - Power Tee for Micro and Mid size networks
CM-CF-4	NMEA2000 Cables & Connectors - Micro / Mid 4 port connector box
CM-CF-CF	NMEA2000 Cables & Connectors - Micro Tee
ELB-CM-CF	NMEA2000 Cables & Connectors - Micro 90° Male to Female Connector
FA-CF-90	NMEA2000 Cables & Connectors - Micro/Mid Field Attachable Connector (90° Female)
FA-CF-ST	NMEA2000 Cables & Connectors - Micro/Mid Field Attachable Connector (Straight Female)
FA-CM-90	NMEA2000 Cables & Connectors - Micro/Mid Field Attachable Connector (90° Male)
FA-CM-ST	NMEA2000 Cables & Connectors - Micro/Mid Field Attachable Connector (Straight Male)
IT-CM-CF	NMEA2000 Cables & Connectors - Micro Inline Terminator
M000101	NMEA2000 Micro Female Cap (covers Female Connector)
M000102	NMEA2000 Micro Female Cap (covers Male Connector)
TR-CF	NMEA2000 Cables & Connectors - Micro Termination Resistor (Female)
TR-CM	NMEA2000 Cables & Connectors - Micro Termination Resistor (Male)
NMEA 2000® Cable Kits (Micro Series)	
CABLE-STARTER-1	NMEA2000 Cables & Connectors - Power TAP, 2x Male Terminators, 1 Tee 1x2M 1x6M Micro NMEA200 cables
CABLE-STARTER-2	NMEA2000 Cables & Connectors - Power TAP, 2x Male Terminators, 2 Tees, 2x2M 1x10M Micro NMEA2000 cables
NMEA 2000® Cable & Connectors (Mid Series)	
DG1-10	NMEA2000 Cables & Connectors - Mid Bulk Cable - 10m (gray)
DG1-20	NMEA2000 Cables & Connectors - Mid Bulk Cable - 20m (gray)
DG1-30	NMEA2000 Cables & Connectors - Mid Bulk Cable - 30m (gray)
DG1-40	NMEA2000 Cables & Connectors - Mid Bulk Cable - 40m (gray)
DG1-50	NMEA2000 Cables & Connectors - Mid Bulk Cable - 50m (gray)
DG1-100C	NMEA2000 Cables & Connectors - Mid Bulk Cable - 100m with spool (gray)
DG1-600C	NMEA2000 Cables & Connectors - Mid Bulk Cable - 600m with spool (gray)
DM-DG1-DF-00.5	NMEA2000 Cables & Connectors - Mid Double-Ended Cordset - M to F - 0.5m (gray)
DM-DG1-DF-01.0	NMEA2000 Cables & Connectors - Mid Double-Ended Cordset - M to F - 1m (gray)
DM-DG1-DF-02.0	NMEA2000 Cables & Connectors - Mid Double-Ended Cordset - M to F - 2m (gray)
DM-DG1-DF-03.0	NMEA2000 Cables & Connectors - Mid Double-Ended Cordset - M to F - 3m (gray)
DM-DG1-DF-04.0	NMEA2000 Cables & Connectors - Mid Double-Ended Cordset - M to F - 4m (gray)
DM-DG1-DF-05.0	NMEA2000 Cables & Connectors - Mid Double-Ended Cordset - M to F - 5m (gray)
DM-DG1-DF-06.0	NMEA2000 Cables & Connectors - Mid Double-Ended Cordset - M to F - 6m (gray)
DM-DG1-DF-08.0	NMEA2000 Cables & Connectors - Mid Double-Ended Cordset - M to F - 8m (gray)
DM-DG1-DF-10.0	NMEA2000 Cables & Connectors - Mid Double-Ended Cordset - M to F - 10m (gray)
DB1-10	NMEA2000 Cables & Connectors - Mid Bulk Cable - 10m (blue)
DB1-20	NMEA2000 Cables & Connectors - Mid Bulk Cable - 20m (blue)
DB1-30	NMEA2000 Cables & Connectors - Mid Bulk Cable - 30m (blue)
DB1-40	NMEA2000 Cables & Connectors - Mid Bulk Cable - 40m (blue)
DB1-50	NMEA2000 Cables & Connectors - Mid Bulk Cable - 50m (blue)
DB1-100C	NMEA2000 Cables & Connectors - Mid Bulk Cable - 100m with spool (blue)
DB1-600C	NMEA2000 Cables & Connectors - Mid Bulk Cable - 600m with spool (blue)
DF-DB1-25.0	NMEA2000 Cables & Connectors - Mid Single-Ended-Female To Open 25m (Blue)
DM-DB1-DF-00.5	NMEA2000 Cables & Connectors - Mid Double-Ended Cordset - M to F - 0.5m (blue)



Maretron®

PART NO.	DESCRIPTION
DM-DB1-DF-01.0	NMEA2000 Cables & Connectors - Mid Double-Ended Cordset - M to F - 1m (blue)
DM-DB1-DF-02.0	NMEA2000 Cables & Connectors - Mid Double-Ended Cordset - M to F - 2m (blue)
DM-DB1-DF-03.0	NMEA2000 Cables & Connectors - Mid Double-Ended Cordset - M to F - 3m (blue)
DM-DB1-DF-04.0	NMEA2000 Cables & Connectors - Mid Double-Ended Cordset - M to F - 4m (blue)
DM-DB1-DF-05.0	NMEA2000 Cables & Connectors - Mid Double-Ended Cordset - M to F - 5m (blue)
DM-DB1-DF-06.0	NMEA2000 Cables & Connectors - Mid Double-Ended Cordset - M to F - 6m (blue)
DM-DB1-DF-08.0	NMEA2000 Cables & Connectors - Mid Double-Ended Cordset - M to F - 8m (blue)
DM-DB1-DF-10.0	NMEA2000 Cables & Connectors - Mid Double-Ended Cordset - M to F - 10m (blue)
NMEA 2000® Cable & Connectors (Mini Series)	
NG1-10	NMEA2000 Cables & Connectors - Mini Bulk Cable - 10m (gray)
NG1-20	NMEA2000 Cables & Connectors - Mini Bulk Cable - 20m (gray)
NG1-30	NMEA2000 Cables & Connectors - Mini Bulk Cable - 30m (gray)
NG1-40	NMEA2000 Cables & Connectors - Mini Bulk Cable - 40m (gray)
NG1-50	NMEA2000 Cables & Connectors - Mini Bulk Cable - 50m (gray)
NG1-100C	NMEA2000 Cables & Connectors - Mini Bulk Cable - 100m with spool (gray)
NG1-750	NMEA2000 Cables & Connectors - Mini Bulk Cable - 750m (gray)
NM-NG1-NF-00.5	NMEA2000 Cables & Connectors - Mini Double-Ended Cordset - M to F - 0.5m (gray)
NM-NG1-NF-01.0	NMEA2000 Cables & Connectors - Mini Double-Ended Cordset - M to F - 1m (gray)
NM-NG1-NF-02.0	NMEA2000 Cables & Connectors - Mini Double-Ended Cordset - M to F - 2m (gray)
NM-NG1-NF-03.0	NMEA2000 Cables & Connectors - Mini Double-Ended Cordset - M to F - 3m (gray)
NM-NG1-NF-04.0	NMEA2000 Cables & Connectors - Mini Double-Ended Cordset - M to F - 4m (gray)
NM-NG1-NF-05.0	NMEA2000 Cables & Connectors - Mini Double-Ended Cordset - M to F - 5m (gray)
NM-NG1-NF-06.0	NMEA2000 Cables & Connectors - Mini Double-Ended Cordset - M to F - 6m (gray)
NM-NG1-NF-08.0	NMEA2000 Cables & Connectors - Mini Double-Ended Cordset - M to F - 8m (gray)
NM-NG1-NF-10.0	NMEA2000 Cables & Connectors - Mini Double-Ended Cordset - M to F - 10m (gray)
NB1-10	NMEA2000 Cables & Connectors - Mini Bulk Cable - 10m (blue)
NB1-20	NMEA2000 Cables & Connectors - Mini Bulk Cable - 20m (blue)
NB1-30	NMEA2000 Cables & Connectors - Mini Bulk Cable - 30m (blue)

MARETRON NMEA 2000 CABLES AND CONNECTORS

PART NO.	DESCRIPTION
NB1-40	NMEA2000 Cables & Connectors - Mini Bulk Cable - 40m (blue)
NB1-50	NMEA2000 Cables & Connectors - Mini Bulk Cable - 50m (blue)
NB1-100C	NMEA2000 Cables & Connectors - Mini Bulk Cable - 100m with spool (blue)
NB1-750	NMEA2000 Cables & Connectors - Mini Bulk Cable - 750m (blue)
NM-NB1-NF-00.5	NMEA2000 Cables & Connectors - Mini Double-Ended Cordset - M to F - 0.5m (blue)
NM-NB1-NF-01.0	NMEA2000 Cables & Connectors - Mini Double-Ended Cordset - M to F - 1m (blue)
NM-NB1-NF-02.0	NMEA2000 Cables & Connectors - Mini Double-Ended Cordset - M to F - 2m (blue)
NM-NB1-NF-03.0	NMEA2000 Cables & Connectors - Mini Double-Ended Cordset - M to F - 3m (blue)
NM-NB1-NF-04.0	NMEA2000 Cables & Connectors - Mini Double-Ended Cordset - M to F - 4m (blue)
NM-NB1-NF-05.0	NMEA2000 Cables & Connectors - Mini Double-Ended Cordset - M to F - 5m (blue)
NM-NB1-NF-06.0	NMEA2000 Cables & Connectors - Mini Double-Ended Cordset - M to F - 6m (blue)
NM-NB1-NF-08.0	NMEA2000 Cables & Connectors - Mini Double-Ended Cordset - M to F - 8m (blue)
NM-NB1-NF-09.0	NMEA2000 Cables & Connectors - Mini Double-Ended Cordset - M to F - 9m (blue)
NM-NB1-NF-10.0	NMEA2000 Cables & Connectors - Mini Double-Ended Cordset - M to F - 10m (blue)
BHF-NM-NF	NMEA2000 Mini Bulkhead Connector
ELB-NM-NF	NMEA2000 Cables & Connectors - Mini 90° Male to Female Connector
FA-NF-ST	NMEA2000 Cables & Connectors - Mini Field Attachable Connector (Female)
FA-NM-ST	NMEA2000 Cables & Connectors - Mini Field Attachable Connector (Male)
M65-0085	NMEA2000 - Mini Cap for Female connector
M65-0086	NMEA2000 - Mini Cap for Male connector
NF-NF	NMEA2000 Cables & Connectors - Mini Gender Changer (Female/Female)
NF-NM4P-NF	NMEA2000 Cables & Connectors - Mini Power Tap, Female-Female With Fuses
NM-CF	NMEA2000 Cables & Connectors - Mini Male to Micro Female Reducer
NM-NM	NMEA2000 Cables & Connectors - Mini Gender Changer (Male/Male)
NM4P-01	NMEA2000 Cables & Connectors - Mini Power Cord - Female to Pigtail - 1m
NM4P-05	NMEA2000 Cables & Connectors - Mini Power Cord - Female to Pigtail - 5m
NM-CF-NF	NMEA2000 Cables & Connectors - Mini/Micro Tee
NM-NF-NF	NMEA2000 Cables & Connectors - Mini Tee
TR-NF	NMEA2000 Cables & Connectors - Mini Termination Resistor (Female)
TR-NM	NMEA2000 Cables & Connectors - Mini Termination Resistor (Male)
TRL-NF	NMEA2000 Cables & Connectors - Mini Termination Resistor with LED (Female)
TRL-NM	NMEA2000 Cables & Connectors - Mini Termination Resistor with LED (Male)

OCTOPLEX POWER DISTRIBUTION



OctoPlex®

OctoPlex® G2 Series is a NMEA 2000®-certified power distribution and monitoring solution that gives boat owners complete control of all AC and DC loads through a redundant CAN bus architecture for maximum reliability and safety. By replacing bulky electrical panels with remotely controlled, field-replaceable breakers, OctoPlex reduces wiring weight and installation complexity. Its configurable multi-function display provides an intuitive interface for monitoring system status, alarms, and vessel data, while integrated modules handle AC/DC power distribution, battery health, and discrete system inputs. Combined with web and mobile connectivity via MConnect and N2KView®, OctoPlex delivers a streamlined, customizable platform for efficient vessel power management.

PART NO.	DESCRIPTION
Octoplex European AC Distribution Boxes	
European 8 Position (50 Amp Max)	
A3000-08-4	Gen2 - AC Power Distribution Box - 8 x 1-Pole Position Euro 230Vac Single Pole without Main Breaker - (Breakers sold separately)
A3000-08-4M	Gen2 - AC Power Distribution Box - 8 x 1-Pole Position Euro 230Vac Single Pole with Main Breaker - (Breakers sold separately)
A3000-08-5	Gen2 - AC Power Distribution Box - 4 x 2-Pole Position Euro 230Vac Double Pole without Main Breaker - (Breakers sold separately)
A3000-08-5M	Gen2 - AC Power Distribution Box - 4 x 2-Pole Position Euro 230Vac Double Pole with Main Breaker - (Breakers sold separately)
European 13 Breaker Boxes (100 Amp Max)	
A3000-13-4	Gen2 - AC Power Distribution Box - 13 x 1-Pole Position Euro 230Vac Single Pole without Main Breaker - (Breakers sold separately)
A3000-13-4M	Gen2 - AC Power Distribution Box - 13 x 1-Pole Position Euro 230Vac Single Pole with Main Breaker - (Breakers sold separately)
A3000-13-5	Gen2 - AC Power Distribution Box - 6 x 2-Pole Position Euro 230Vac Double Pole without Main Breaker - (Breakers sold separately)
A3000-13-5M	Gen2 - AC Power Distribution Box - 6 x 2-Pole Position Euro 230Vac Double Pole with Main Breaker - (Breakers sold separately)
A3000-13-6	Gen2 - AC Power Distribution Box - 13 x 1-Pole Position Euro 230/ 415Vac without Main Breaker 3-Phase - (Breakers sold separately)
A3000-13-6M	Gen2 - AC Power Distribution Box - 13 x 1-Pole Position Euro 230/ 415Vac with Main Breaker 3-Phase TVSS - (Breakers sold separately)
European 19 Breaker Boxes (100 Amp Max)	
A3000-19-4	Gen2 - AC Power Distribution Box - 19 x 1-Pole Position Euro 230Vac Single Pole without Main Breaker - (Breakers sold separately)
A3000-19-4M	Gen2 - AC Power Distribution Box - 19 x 1-Pole Position Euro 230Vac Single Pole with Main Breaker - (Breakers sold separately)
A3000-19-5	Gen2 - AC Power Distribution Box - 9 x 2-Pole Position Euro 230Vac Double Pole without Main Breaker - (Breakers sold separately)
A3000-19-5M	Gen2 - AC Power Distribution Box - 9 x 2-Pole Position Euro 230Vac Double Pole with Main Breaker - (Breakers sold separately)
A3000-19-6	Gen2 - AC Power Distribution Box - 19 x 1-Pole Position Euro 230/ 415Vac without Main Breaker 3-Phase TVSS - (Breakers sold separately)
A3000-19-6M	Gen2 - AC Power Distribution Box - 19 x 1-Pole Position Euro 230/ 415Vac with Main Breaker 3-Phase TVSS - (Breakers sold separately)

OCTOPLEX POWER DISTRIBUTION

PART NO.	DESCRIPTION
Breaker Box Accessories	
931-00171-001	Gen2 - Removal Tool for AC Breaker removal
Octoplex Circuit Breakers	
Please note: All Breakers require a Circuit Breaker Remote Actuator:- 8CH-0000-27	
8CH-0000-27	Gen 2 - AC Breaker Solenoid
European 230V 1 Pole Breakers	
CW1B424450110DJ	Gen 2 AC Circuit Breaker - 1 Pole 230VAC, 5 Amps Medium Trip Delay
CW1B424610110DJ	Gen 2 AC Circuit Breaker - 1 Pole 230VAC, 10 Amps Medium Trip Delay
CW1B424615110DJ	Gen 2 AC Circuit Breaker - 1 Pole 230VAC, 15 Amps Medium Trip Delay
CW1B424616110DJ	Gen 2 AC Circuit Breaker - 1 Pole 230VAC, 16 Amps Medium Trip Delay
CW1B424620110DJ	Gen 2 AC Circuit Breaker - 1 Pole 230VAC, 20 Amps Medium Trip Delay
CW1B424625110DJ	Gen 2 AC Circuit Breaker - 1 Pole 230VAC, 25 Amps Medium Trip Delay
CW1B424630110DJ	Gen 2 AC Circuit Breaker - 1 Pole 230VAC, 30 Amps Medium Trip Delay
CW1B424635110DJ	Gen 2 AC Circuit Breaker - 1 Pole 230VAC, 35 Amps Medium Trip Delay
CW1B424640110DJ	Gen 2 AC Circuit Breaker - 1 Pole 230VAC, 40 Amps Medium Trip Delay
CW1B424645110DJ	Gen 2 AC Circuit Breaker - 1 Pole 230VAC, 45 Amps Medium Trip Delay
CW1B424650110DJ	Gen 2 AC Circuit Breaker - 1 Pole 230VAC, 50 Amps Medium Trip Delay
CW1B424660110DJ	Gen 2 AC Circuit Breaker - 1 Pole 230VAC, 60 Amps Medium Trip Delay
CW1B424680110DJ	Gen 2 AC Circuit Breaker - 1 Pole 230VAC, 80 Amps Medium Trip Delay
CW1B424685110DJ	Gen 2 AC Circuit Breaker - 1 Pole 230VAC, 85 Amps Medium Trip Delay
CW1B424810110DJ	Gen 2 AC Circuit Breaker - 1 Pole 230VAC, 100 Amps Medium Trip Delay
CW1B426450110DJ	Gen 2 AC Circuit Breaker - 1 Pole 230VAC, 5 Amps Long Trip Delay
CW1B426610110DJ	Gen 2 AC Circuit Breaker - 1 Pole 230VAC, 10 Amps Long Trip Delay
CW1B426615110DJ	Gen 2 AC Circuit Breaker - 1 Pole 230VAC, 15 Amps Long Trip Delay
CW1B426616110DJ	Gen 2 AC Circuit Breaker - 1 Pole 230VAC, 16 Amps Long Trip Delay
CW1B426620110DJ	Gen 2 AC Circuit Breaker - 1 Pole 230VAC, 20 Amps Long Trip Delay
CW1B426630110DJ	Gen 2 AC Circuit Breaker - 1 Pole 230VAC, 30 Amps Long Trip Delay
CW1B426640110DJ	Gen 2 AC Circuit Breaker - 1 Pole 230VAC, 40 Amps Long Trip Delay
CW1B426650110DJ	Gen 2 AC Circuit Breaker - 1 Pole 230VAC, 50 Amps Long Trip Delay
CW1B426690110DJ	Gen 2 AC Circuit Breaker - 1 Pole 230VAC, 90 Amps Long Trip Delay

OCTOPLEX POWER DISTRIBUTION

PART NO.	DESCRIPTION
European 230V 2 Pole Breakers	
CW2B424450110DJ	Gen 2 AC Circuit Breaker - 2 Pole 230VAC, 5 Amps Medium Trip Delay
CW2B424610110DJ	Gen 2 AC Circuit Breaker - 2 Pole 230VAC, 10 Amps Medium Trip Delay
CW2B424615110DJ	Gen 2 AC Circuit Breaker - 2 Pole 230VAC, 15 Amps Medium Trip Delay
CW2B424620110DJ	Gen 2 AC Circuit Breaker - 2 Pole 230VAC, 20 Amps Medium Trip Delay
CW2B424625110DJ	Gen 2 AC Circuit Breaker - 2 Pole 230VAC, 25 Amps Medium Trip Delay
CW2B424630110DJ	Gen 2 AC Circuit Breaker - 2 Pole 230VAC, 30 Amps Medium Trip Delay
CW2B424640110DJ	Gen 2 AC Circuit Breaker - 2 Pole 230VAC, 40 Amps Medium Trip Delay
CW2B424650110DJ	Gen 2 AC Circuit Breaker - 2 Pole 230VAC, 50 Amps Medium Trip Delay
CW2B424660110DJ	Gen 2 AC Circuit Breaker - 2 Pole 230VAC, 60 Amps Medium Trip Delay
CW2B424685110DJ	Gen 2 AC Circuit Breaker - 2 Pole 230VAC, 85 Amps Medium Trip Delay
CW2B424810110DJ	Gen 2 AC Circuit Breaker - 2 Pole 230VAC, 100 Amps Medium Trip Delay
CW2B426450110DJ	Gen 2 AC Circuit Breaker - 2 Pole 230VAC, 5 Amps Long Trip Delay
CW2B426610110DJ	Gen 2 AC Circuit Breaker - 2 Pole 230VAC, 10 Amps Long Trip Delay
CW2B426615110DJ	Gen 2 AC Circuit Breaker - 2 Pole 230VAC, 15 Amps Long Trip Delay
CW2B426625110DJ	Gen 2 AC Circuit Breaker - 2 Pole 230VAC, 25 Amps Long Trip Delay
European 230V 2 Pole Breakers	
CW3B424450110JU	Gen 2 AC Circuit Breaker - 3 Pole 415VAC, 5 Amps Medium Trip Delay
CW3B424610110JU	Gen 2 AC Circuit Breaker - 3 Pole 415VAC, 10 Amps Medium Trip Delay
CW3B424615110JU	Gen 2 AC Circuit Breaker - 3 Pole 415VAC, 15 Amps Medium Trip Delay
CW3B424620110JU	Gen 2 AC Circuit Breaker - 3 Pole 415VAC, 20 Amps Medium Trip Delay
CW3B424630110JU	Gen 2 AC Circuit Breaker - 3 Pole 415VAC, 30 Amps Medium Trip Delay
CW3B424640110JU	Gen 2 AC Circuit Breaker - 3 Pole 415VAC, 40 Amps Medium Trip Delay
CW3B424650110JU	Gen 2 AC Circuit Breaker - 3 Pole 415VAC, 50 Amps Medium Trip Delay
CW3B424660110JU	Gen 2 AC Circuit Breaker - 3 Pole 415VAC, 60 Amps Medium Trip Delay
CW3B424680110JU	Gen 2 AC Circuit Breaker - 3 Pole 415VAC, 80 Amps Medium Trip Delay
CW3B426615110JU	Gen 2 AC Circuit Breaker - 3 Pole 415VAC, 15 Amps Long Trip Delay
CW3B426630110JU	Gen 2 AC Circuit Breaker - 3 Pole 415VAC, 30 Amps Long Trip Delay
CW3B426640110JU	Gen 2 AC Circuit Breaker - 3 Pole 415VAC, 40 Amps Long Trip Delay
CW3B426650110JU	Gen 2 AC Circuit Breaker - 3 Pole 415VAC, 50 Amps Long Trip Delay
CW3B426680110JU	Gen 2 AC Circuit Breaker - 3 Pole 415VAC, 80 Amps Long Trip Delay
CW3B426810110JU	Gen 2 AC Circuit Breaker - 3 Pole 415VAC, 100 Amps Long Trip Delay
Octoplex DC Boxes	
A3650	Gen2 - DC Power Distribution Box, 8 Position, CE - (Breakers sold separately)
A3655	Gen2 - DC Power Distribution Box, 16 Position, CE - (Breakers sold separately)
A1660	DC Electronic Circuit Breaker (ECB) used in Gen1 & Gen2
Octoplex Signal Input Device	
A3470	Gen2 - SIU (System Interface Unit) 34 Inputs to NMEA2000
Octoplex DC Boxes Accessories	
A1935	Gen1 & Gen2 - DC POWER ISOLATOR, 2 CIRCUITS - Prevents backfeed
A1940	OctoPlex Gen1 & Gen2 - DC POWER ISOLATOR, 10 CIRCUITS - Prevents backfeed
A1930	Gen1 & Gen2 Bypass ECB Module

OCTOPLEX POWER DISTRIBUTION

PART NO.	DESCRIPTION
Octoplex Redundant Power Supply (NMEA Certified)	
A3205-1	Gen2 - Network Power Supply 120Vac
A3205-2	Gen2 - Network Power Supply Euro 230Vac
Octoplex Battery Monitoring	
A3680	Gen2 - Battery Monitor (Cables are not included)
A2225-4	Gen1 & Gen2, Battery Monitor Cable set, 4ft
A2225-6	Gen1 & Gen2, Battery Monitor Cable set, 6ft
A2225-8	Gen1 & Gen2, Battery Monitor Cable set, 8ft
A2225-16	Gen1 & Gen2, Battery Monitor Cable set, 16ft
MS91587-2	Battery Shunt 200 Amp, 50 Millivolts
RSC-1000-50	Battery Shunt 1,000 Amp, 50 Millivolt
Octoplex Vessel Monitoring Screens	
A3419	Gen2 - 8" OctoPlex Touchscreen (TSM810C), Front mount only.
A3419-2	Gen2 - 8" OctoPlex Touchscreen (TSM810C), Front mount only, with CodeSys installed
A3420	Gen2 - 8" OctoPlex Touchscreen (TSM810C), Front & back mount hardware
A3420-2	Gen2 - 8" OctoPlex Touchscreen (TSM810C), Front & back mount hardware, CodeSys installed
A3421	Gen2 - 8" OctoPlex Touchscreen (TSM810C with a special smaller bezel to fit old Gen1 cutouts), Back mount hardware only
Octoplex Vessel Monitoring Screens	
TSM810C-DUST-CVR-O	Dust Cover Kit, TSM810C, Octoplex
Octoplex Vessel Monitoring Screens	
A3418	Gen1 & Gen2, Vessel Monitoring Black Box (Maretron MBB300C)

WARRANTY

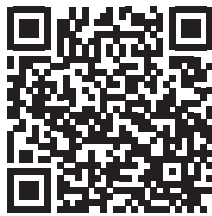
Scan the QR Code to read the current Raymarine Standard Warranty Policy,
or enter the following URL into your internet browser:
www.raymarine.com/en-gb/support/repair-warranty-and-returns/warranty-policy





FIND A DEALER

To find your nearest Raymarine dealer, scan the QR code or enter the following URL into your internet browser
<https://www.raymarine.co.uk/en-gb/find-your-local-dealer>



CONTACT US

Scan the QR code to view our office locations, access our customer help knowledge base, contact product support or complete a general enquiry form.

EXPORT RESTRICTIONS

The information contained in this brochure pertains to dual use products controlled for export by the Export Administration Regulations (EAR). Diversion contrary to US law is prohibited. US Department of Commerce authorization is not required prior to export or transfer to foreign persons or parties unless otherwise prohibited.

PHOTOGRAPHY:

Dufour; Jason Arnold; Adrian Gray; Ice Yachts; Joe McCarthy;
Sundeck; Matt Dickins

25-0954-MAR / 2026 / UK / v1.0

Raymarine®